

30" MULTIFUNCTION SELF-CLEAN OVEN



CODE ID

OVEN 100 SERIES

F1SP30S3



True Convection



Self Clean Oven



Multi-level cooking



Cool Touch Door



Interior Lighting



Digital Controls

SPECIFICATIONS

OVEN

Knob and electronic controls
True Convection
Self-cleaning oven with Multifunction baking
Black Porcelain enamel interior
2 Halogen lights
Total capacity 85,3 lt
Total capacity 3,01 cu. ft.
2 chrome racks
Enameled Broiler Pan (basin + anti splash)

OVEN FUNCTIONS

Bake
Broil
Roast
Convection
True Convection
Dehydrate
Electronic cooking programmer
Self-Clean
Sabbath Mode

OPTIONAL ACCESSORIES

FMTR 130

Telescopic rack

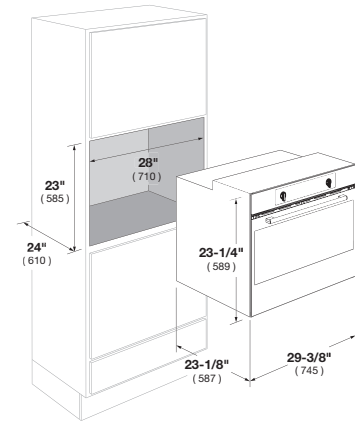


This product meets ADA (Americans with Disabilities Act) requirements.

Please check with your local municipality's codes and stipulations for additional details to ensure compliance.

DISTINTO

30" MULTIFUNCTION SELF-CLEAN OVEN



| CODE ID | 30" MULTIFUNCTION SELF-CLEAN OVEN F1SP30S3 | |
|--|--|----------------|
| Series | 100 | |
| Finish | Stainless Steel | |
| CONTROL PANEL | | |
| Control Type | Electronic | |
| Display: Clock - Timer - Temperature | White LED | |
| Language | English | |
| OVEN | | |
| Type | Electronic | |
| Temperature Regulation | Electronic Control (min/max 120/485°F - 50/250°C) | |
| OVEN FUNCTIONS | | |
| | Pyrolytic Self-Clean | Bake |
| | True Convection | Broil |
| | Convection Bake | Thaw (Defrost) |
| | Convection Broil | Oven Lights |
| | Convection Roast | |
| GAS OVEN FEATURES | | |
| | Temperature Display °C/°F | |
| OVEN DOOR(S) | | |
| Oven Glass Window | Large See Through Glass | |
| Door Cooling System | 4 Heat Resistant Glasses | |
| Door Hinges | Heavy Duty Steady Tilt | |
| Handle Style | Tubular Steel | |
| OVEN CAVITY | | |
| Total Capacity (lt) | 85,3 | |
| Total Capacity (cu. ft.) | 3,01 | |
| Cavity Enamel Color | Black | |
| Rack Positions | 4 | |
| Oven Lights | 2x20W Halogen | |
| HEATING ELEMENTS (@240V) | | |
| Broil Upper Heating Element | 3100 W | |
| Upper Auxiliary Element | 1032 W | |
| Lower Auxiliary Element | 600 W | |
| Concealed Bake Lower Heating Element | 1400 W | |
| Convection Element | 2500 W | |
| OVEN ACCESSORIES | | |
| Chrome Racks | 2 | |
| Enameled Broiler Pan (basin + anti splash) | 1 | |
| Telescopic Chrome Rack | Optional | |
| DIMENSIONS/WEIGHT | | |
| Overall dim - Width | 29 - 3/8" | 745 mm |
| Overall dim - Height | 23 - 3/16" | 589 mm |
| Overall dim - Depth | 22 - 1/16" | 560 mm |
| Cut-out - Width | 28" | 710 mm |
| Cut-out - Height (min) | 23" | 585 mm |
| Cut-out - Depth (min) | 24" | 610 mm |
| Gross Weight | 148 lbs | 67 kg |
| POWER / RATINGS (208/240 V, 60 HZ) | | |
| kW / Amps rating at 120-240V, 60Hz | 3.63kW - 15.6A | |
| kW / Amps rating at 120-208V, 60Hz | 3.53kW - 17.4A | |
| Power Cable | Conduit | |
| INSTRUCTIONS FOR USE | | |
| Use & Care Manual / Installation Manual | English / French / Spanish | |