

F4GK24*1

F4GK30*1

F4GK36*1

F4GK42*1

GAS COOKTOP

PLAQUE DE CUISSON GAZ

PLACA DE COCCIÓN DE GAS

EN USE & CARE MANUAL

FR GUIDE D'UTILISATION ET D'ENTRETIEN

ES MANUAL DE USO & MANTENIMIENTO

Dear Customer,

Thank you for purchasing a Fulgor Milano product. Fulgor Milano is committed to excellence and our signature technologies provide you with professional tools for your kitchen. One of our central philosophies is continuous investment in research that is rooted in developing life enhancing technology. Our goal is to deliver products that are worthy of your family recipes and that will breathe life into your kitchen, the heart of your home. We invite you to enjoy your new Fulgor Milano product with same amount of care and attention that we have put into creating it.

Your Life | Our Passion

Gianni Nencofetti

TABLE OF CONTENTS	PAGE
1 - Safety Instructions	2
Cooktop Safety	2
Personal Safety	2
Warnings for Gas and Electric Installation	3
2 - Models and Part Identification	4
3 - Gas Cooktop Operation	5
Gas Control Knob Setting	5
4 - Cookware	8
Cookware Characteristics	8
Match Pan Diameter to Flame Size	8
5 - Cleaning the Cooktop	10
Cooktop Part / Material Suggested Cleaners	10
6 - Troubleshooting	12
7 - Assistance or Service	13
Service Data Record	13

Pay attention to these symbols present in this manual:



WARNING

- This is the safety alert symbol. This symbol alerts you to potential hazards that can kill or hurt you and others.
- You can be killed or seriously injured if you don't follow these instructions.

READ AND SAVE THESE INSTRUCTIONS.



WARNING

If the information in this manual is not followed exactly, a fire or explosion may result causing property damage, personal injury or death.

- **Do not store or use gasoline or other flammable vapors and liquids in the vicinity of this or any other appliance.**

- WHAT TO DO IF YOU SMELL GAS

- **Do not try to light any appliance.**
- **Do not touch any electrical switch.**
- **Do not use any phone in your building.**
- **Immediately call your gas supplier from a neighbor's phone. Follow the gas supplier's instructions.**
- **If you cannot reach your gas supplier, call the fire department.**

- **Installation and service must be performed by a qualified installer, service agency or the gas supplier.**



IMPORTANT

Please read all instructions before using this appliance.



Cooktop Safety

WARNING

To reduce the risk of fire, electric shock, or injury to persons, take these precautions:

- This appliance is intended for normal family household use only. See the Warranty, if you have any questions, contact the manufacturer.
- Have the cooktop installed and grounded by a qualified technician. Have the installer show you where the gas shut-off valve is located.
- Do not repair or replace any part of the appliance unless specifically recommended in this manual. All other servicing should be referred to a qualified technician.
- For proper lighting and performance of the burners, keep the igniters clean and dry.
- In the event that a burner goes out and gas escapes, open a window or a door. Wait at least 5 minutes before using the cooktop.
- Do not obstruct the flow of combustion and ventilation air.
- Do not use aluminium foil to line any part of the cooktop.
- If the cooktop is near a window, be certain that curtains or any other window covering do not blow over or near the burners; they could catch on fire.

Personal Safety

WARNING

To reduce the risk of injury to persons, in the event of a grease fire, observe the following:

- In the event of a grease fire **SMOTHER FLAMES** with a close-fitting lid, cookie sheet, or other metal tray, then turn off the gas burner.
- **BE CAREFUL TO PREVENT BURNS.** If the flames do not go out immediately, **EVACUATE AND CALL THE FIRE DEPARTMENT.**
- Do not use water, including wet dishcloths or towels on grease fires. A violent steam explosion may result.
- **NEVER PICK UP A FLAMING PAN.** You may be burned.
- **ALWAYS** have a working **SMOKE DETECTOR** near the kitchen.
- **LEAVE THE HOOD VENTILATOR ON** when flambéing food.

To reduce the risk of burn injuries during cooktop use, observe the following:

CAUTION

NEVER use this appliance as a space heater to heat or warm the room. Doing so may result in carbon monoxide poisoning and overheating of the oven.

- Children or pets should not be left alone or unattended in an area where appliances are in use.
- They should never be allowed to sit or stand on any part of the appliance.

CAUTION

DO not store items of interest to children above or at the back of the cooktop.

- Do not store flammable materials on or near the cooktop.
- When using the cooktop: **DO NOT TOUCH THE BURNER GRATES OR THE IMMEDIATE SURROUNDING AREA.**
- Use only dry potholders; moist or damp potholders on hot surfaces may cause burns from steam.

- Never leave the cooktop unattended when in use. Boilovers cause smoking, and greasy spillovers may ignite. A spill on a burner can smother all or part of the flame or hinder spark ignition. If a boilover occurs, turn off burner and check operation. If burner is operating normally, turn it back on.
- During cooking, set the burner control so that the flame heats only the bottom of the pan and does not extend beyond the bottom of the pan.
- Take care that drafts like those from fans or forced air vents do not blow flammable material toward the flames or push the flames so that they extend beyond the edges of the pan.
- Always position handles of utensils inward so they do not extend over adjacent work areas, burners, or the edge of the cooktop.
- Wear proper apparel. Loose fitting garments or hanging sleeves should never be worn while cooking.
- In the event that personal clothing catches fire, DROP AND ROLL IMMEDIATELY to extinguish flames.
- Never let clothing, potholders, or other flammable materials come in contact with hot burners or hot burner grates.
- Use only certain types of glass, heatproof glass ceramic, ceramic, earthenware, or other glazed utensils that are suitable for cooktop use.
- Do not clean the cooktop while it is still hot. Some cleaners produce noxious fumes when applied to a hot surface.



CAUTION

DO not allow aluminium foil, plastic, paper or cloth to come in contact with hot burners or grates. Do not allow pans to boil dry.



WARNING

The California Safe Drinking Water and Toxic Enforcement Act requires the Governor of California to publish a list of substances known to the State of California to cause cancer, birth defects, or other reproductive harm, and requires businesses to warn of potential exposure to such substances.

This product contains a chemical known to the State of California to cause cancer, birth defects, or other reproductive harm.

This appliance can cause low-level exposure to some of the substances listed, including benzene, formaldehyde, carbon monoxide, toluene, and soot.

Warnings for Gas and Electric Installation

In case of Propane gas installation

The cooktop is ready for use with natural gas. It may be converted for use with propane gas using the propane conversion kit supplied with the cooktop.

Be sure the unit being installed is correct for the type of gas being used.

Refer to the rating plate located on the underside burner box (see installation instruction).



WARNING

Installation and service must be performed by a qualified installer, service agency or the gas supplier.



CAUTION

- Always disconnect the electrical plug from the wall receptacle before servicing this unit.
- For personal safety, this appliance must be properly grounded.
- Do not under any circumstances cut or remove the third (ground) prong from the power cord plug.

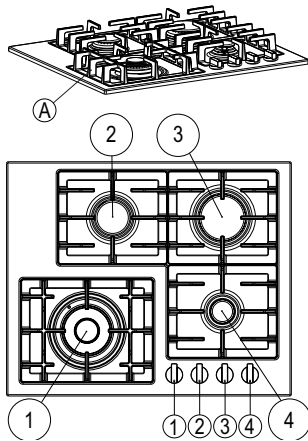
When connecting the unit to propane gas, make certain the propane tank is equipped with its own high pressure regulator.

In addition, the pressure regulator supplied with the cooktop must be on the inlet gas pipe of this unit.

In case of electrical failure

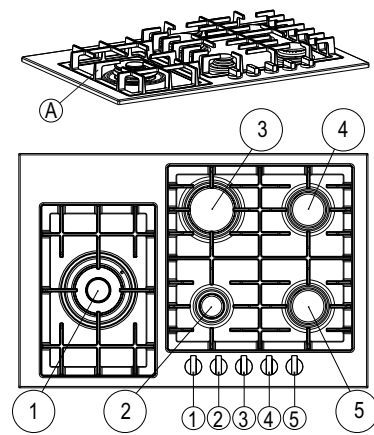
If for any reason a gas control knob is turned ON and there is no electric power to operate the electronic igniter of the cook top, turn OFF all gas control knobs and wait 5 minutes for the gas to dissipate before lighting the burner manually. To light the burner manually, carefully hold a lighted match to the burner ports and push and turn the gas control knob to HI until it lights and then turn the knob to desired setting.

24"



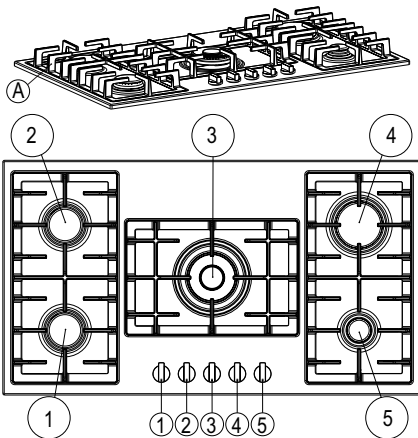
- 1. DOUBLE CROWNS (700 to 18000 Btu/h burner & control knob)
- 2. SR (1,300 to 6,300 Btu/h burner & control knob)
- 3. R (2,200 to 12,000 Btu/h burner & control knob)
- 4. AUX (1,000 to 4,000 Btu/h burner & control knob)

30"



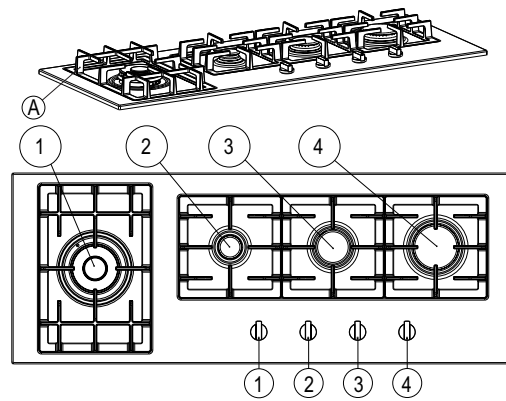
- 1. DOUBLE CROWNS (700 to 18000 Btu/h burner & control knob)
- 2. AUX (1,000 to 4,000 Btu/h burner & control knob)
- 3. R (2,200 to 12,000 Btu/h burner & control knob)
- 4. SR (1,300 to 9,000 Btu/h burner & control knob)
- 5. SR (1,300 to 6,300 Btu/h burner & control knob)

36"



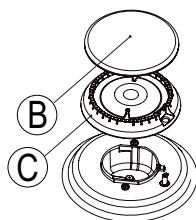
- 1. SR (1,300 to 6,300 Btu/h burner & control knob)
- 2. SR (1,300 to 9,000 Btu/h burner & control knob)
- 3. DOUBLE CROWNS (700 to 18000 Btu/h burner & control knob)
- 4. R (2,200 to 12,000 Btu/h burner & control knob)
- 5. AUX (1,000 to 4,000 Btu/h burner & control knob)

42"



- 1. DOUBLE CROWNS (700 to 18000 Btu/h burner & control knob)
- 2. AUX (1,000 to 4,000 Btu/h burner & control knob)
- 3. SR (1,300 to 9,000 Btu/h burner & control knob)
- 4. R (2,700 to 15,000 Btu/h burner & control knob)

Appliance installed over 2,000 feet (610m) De-rate effect
(De-rated 4% per 1000 feet)

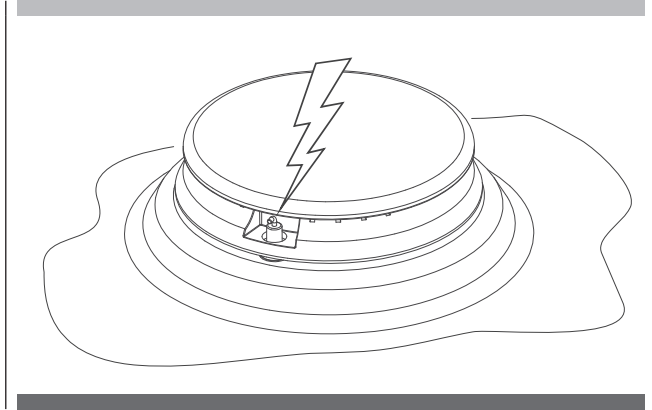


- A. Grates
- B. Burner Cup
- C. Burners Gas Spreader

Gas Control Knob Setting

Electric gas ignition

The gas burner use an electric ignition device located near each burner that by means a spark igniters ensure its surface light automatically.



Models with standard ignition

The electric ignition automatically light the surface burners when the control knobs are turned to LITE position.

To set:

1. Push and turn knob counter clockwise to "LIGHT", all four or five spark plugs will generate a clicking sound (spark), however only the burner with the control knob turned to LIGHT will produce a flame.
2. Turn knob anywhere between Hi and LO (in this position the sparking will stop). In case flame goes out repeat the step 1.

Models with automatic re-ignition

The electronic auto re-ignition, lights the surface burners when the control knob are turned at any valve rotation that admits sufficient gas flow to support a flame.

If any burner flame goes out due to a draft or other adversity, the igniter automatically sparks on all burners to relight the flame.

NOTE: this feature is provided as a convenience and is not intended as a safety feature.

To set:

- Push and turn knob counter clockwise everywhere, all four or five spark plugs will generate a clicking sound (spark), however only the burner with the control knob turned from HI _ LO will produce a flame and reignite automatically if the flame goes out.

WARNING

- Do not operate a burner using empty cookware or without cookware on the grate.
- Do not touch the burner when the igniters are clicking (sparking).
- Do not let the burner flame extend beyond the edge of the pan.
- Turn off all controls when not cooking.

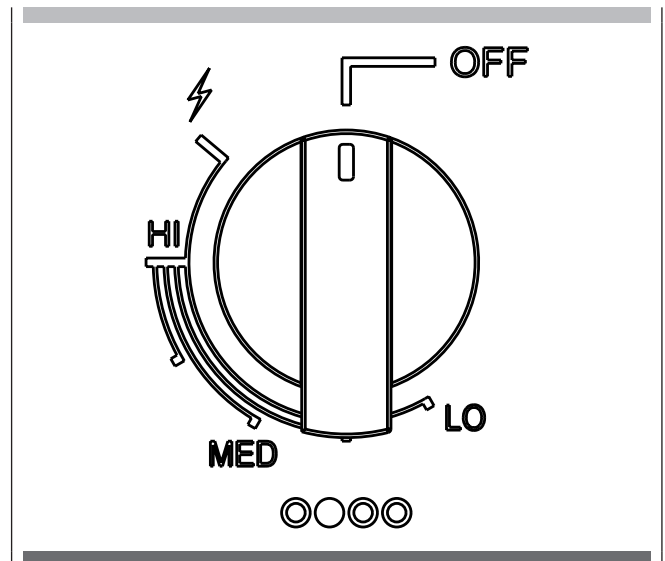
Failure to follow these instruction can result in personal injury or fire.

Gas burners

The gas burners design of these cooktop models, allow a pleasing option for cooking where size, power and simmering are a primary concern.

Burners with one ring flame

These gas burner line is engineered to match a wide size and power capacity. The use of this burner is very simple; just push and turn the knob counter clockwise and set to the desired position from Hi to LO heat level (see chart guide when setting heat level). Its ignition device can be standard or with automatic re-ignition.



Burners with two rings flame

This special burner has two separate flame rings to provide a real full heat regulation from high power to simmering.

To set :

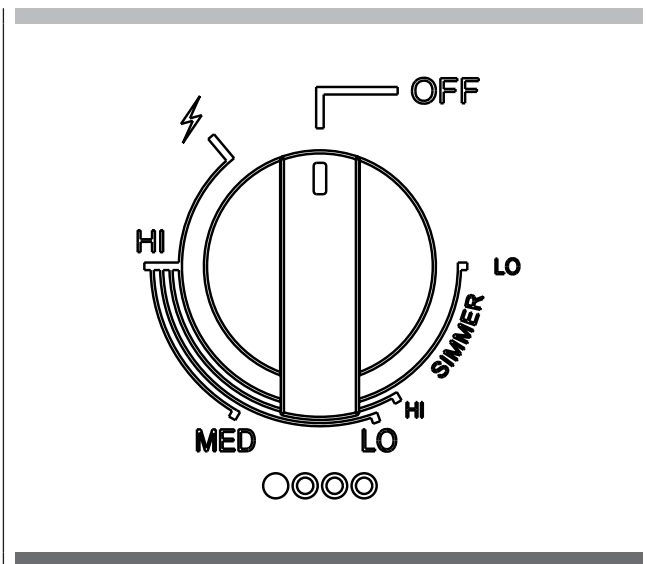
1. Push and turn counter clockwise the knob between HI-LO main flame ,when the burner is turned on, the main flame and the Simmer flame will always light and stay on.
2. Setting heat level main flame from HI-LO power.

Simmer setting

Turn counter clockwise the knob on HI-LO simmering position, the simmer flame setting will use only the centre flame.

Turn off the burner

Turn the knob clock wise as far as it will go to the off position.



Burner Use Suggestions

Use the right front, right rear or left rear burners for simmering, or for cooking smaller quantities of food requiring small cookware. Use the left front POWER Burner for bringing liquids to a rapid boil, cooking large quantities of food, or for deep-fat frying requiring large cookware.

The Burner Flames

Turn each burner on. Flames should be blue in color with no trace of yellow. The burner flames should not flutter or blow away from the burner. The inner cone of the flame should be between 1/2" and 3/4" long.

Super Sealed Surface Burners

IMPORTANT

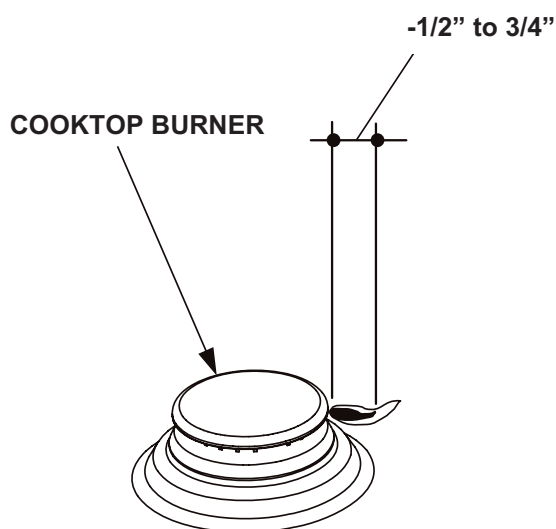
Do not obstruct the flow of combustion and ventilation air around the burner grate edges.

Burner cap and gas spreader

Always keep the burner cap and gas spreader in place when using a surface burner. A clean burner cap and spreader will help prevent poor ignition and uneven flames. Always clean the part after a spillover and routinely remove and clean according to the "General Cleaning" section.

Burner base and injector

Gas must flow freely throughout the injector orifice to light properly. Keep this area free of soil and do not allow spills, food, cleaning agents or any other material to enter the injector orifice opening. Protect it during cleaning.



Be sure when lighting the burner:

- Gas spreader pin is properly aligned with burner base slot.
- Cap pin is properly aligned with gas spreader slot.

Burner ports

Check burner flames occasionally. A good flame is blue in color, not yellow.

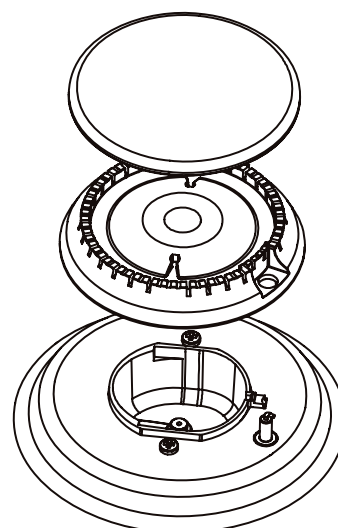
Keep this area free of soil and do not allow spills, food, cleaning agents or any other material to enter the burner ports.

To Clean gas burner:

IMPORTANT

Before cleaning, make sure all controls are off and the cooktop is cool.

1. Remove the burner cap from the burner base and clean according to cleaning section.
2. Remove the burner spreader. Clean the gas tube opening and burner port according to cleaning section.
3. Clean the burner base with a damp cloth (keep the gas injector area free of cleaning agents and any other material from entering the injector orifice).
4. Replace the burner spreader and cap, making sure the alignment pins are properly aligned with the slots.
5. Turn on the burner. If the burner does not light, check cap and spreader alignment. If the burner still does not light, do not service the gas burner yourself. Contact a trained repair specialist.



⚠ IMPORTANT

Never leave empty cookware on a hot surface cooking area, element or surface burner. Ideal cookware should have a flat bottom, straight sides, a well fitting lid and the material should be of medium-to-heavy thickness. Rough finishes may scratch the cooktop. Aluminium and copper may be used as a core or base in cookware. However, when used as a base it can leave permanent marks on the cooktop or grates. Cookware material is a factor in how quickly and evenly heat is transferred, which affects cooking results. A nonstick finish has the same characteristics as its base material. For example, aluminium cookware with a non-stick finish will take on the properties of aluminium. Use the following chart as a guide for cookware material characteristics.

Cookware Characteristics

Aluminum: Heats quickly and evenly. Suitable for all types of cooking. Medium or heavy thickness is best for most cooking tasks.

Cast Iron: Heats slowly and evenly. Good for browning and frying. Maintains heat for slow cooking.

Ceramic or Ceramic glass: Follow manufacturer’s instructions. Heats slowly, but unevenly. Ideal results on low to medium heat settings.

Copper: Heats very quickly and evenly.

Earthenware: Follow manufacturer’s instructions. Use on low heat settings.

Porcelain enamel on steel or cast Iron: See stainless steel or cast iron.

Stainless steel: Heats quickly, but unevenly. A core or base of aluminium or copper on stainless steel provides even heating.

Match Pan Diameter to Flame Size

The flame should be the same size as the bottom of the pan or smaller. Do not use small pans with high flame settings as the flames can lick up the sides of the pan. Oversize pans that span two burners are placed front to rear, not side to side.

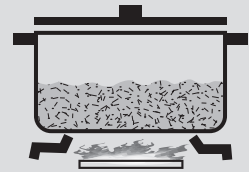
Use Balanced Pans

Pans must sit level on the cooktop grate without rocking. Center pan over burner.

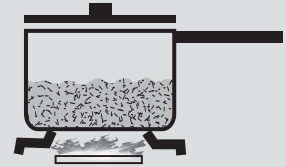
Use a Lid That Fits Properly

A well-fitting lid helps shorten the cooking time. Flat, heavy bottom pans provide even heat and stability.

⚠ WARNING



BALANCED PAN



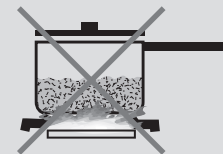
CONCAVE (HOLLOW)



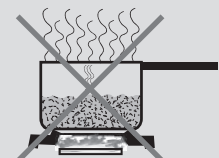
CONVEX (ROUNDED)



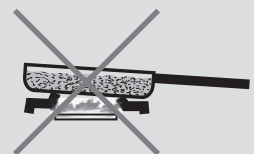
FLAME TOO LARGE FOR PAN SIZE



USE LIDS THAT FIT PROPERLY



UNBALANCED PAN

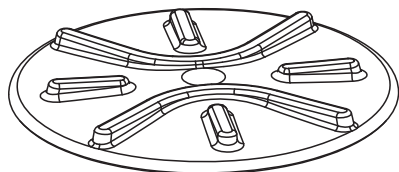


Use a simmering plate: For simmering stews and soups, or melting chocolate, use the "FULGOR" simmer plate accessory.

The simmer plate distributes the heat evenly and gently.

Canners and pressure cookers must meet the same requirements as described above.

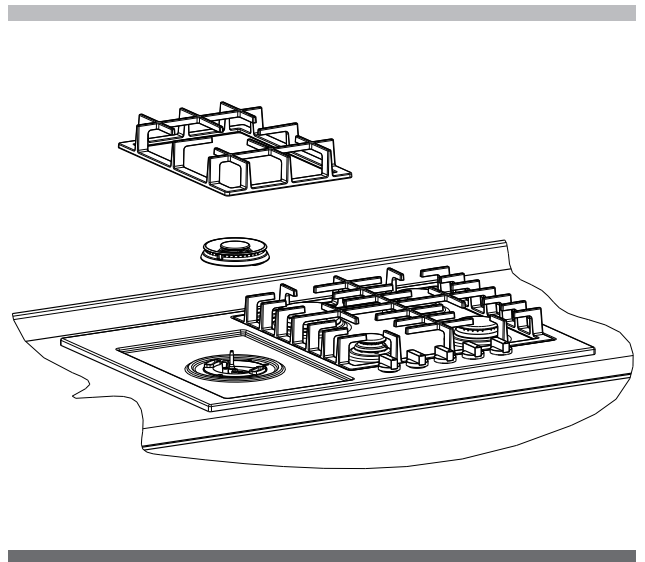
After bringing contents to a boil, use lowest heat setting possible to maintain a boil or pressure (for pressure canners/cookers).



The entire Cooktop can be safely cleaned by wiping with a soapy sponge, then rinsing and drying. If stubborn soil remains, follow the recommended cleaning methods below.

CAUTION

- Before cleaning, be certain the burners are turned off and the grates are cool.
- Always use the mildest cleaner that will do the job.
- Use clean, soft cloths, sponges or paper towels.
- Rub stainless steel finishes in the direction of the grain. Wipe area dry to avoid water marks.
- Do not clean removable cooktop parts in any selfcleaning oven.
- After cleaning, place all parts in their proper positions before using cooktop.



The cleaners recommended below and on the following page indicate cleaner types and do not constitute an endorsement of a particular brand. Use all products according to package directions.

Cooktop Part / Material Suggested Cleaners

Parts and materials	Suggested cleaners	Suggestions/Reminders
Burner base (Cast aluminium)	Damp cloth.	Keep the gas injector area free of cleaning agents and any other material from entering the injector orifice.
Gas spreader (Cast aluminium)	<ul style="list-style-type: none"> • Detergent and hot water; rinse and dry. • Stiff nylon bristle-toothbrush to clean port openings. <p>Abrasive cleansers: Revere ware® metal polish. Following package direction Use Brillo® or S.O.S.® pads. Rinse and dry.</p>	<p>Rub lightly, in a circular motion. Aluminium cleaners may dull the surface.</p> <p>To clean port opening, use a tooth brush or straightened paper clip.</p>
Burner cap and grate (Porcelain enamel on cast iron)	<ul style="list-style-type: none"> • Non abrasive cleaners: Hot water and detergent, Fantastic, Formula 409. Rinse and dry immediately. • Mild abrasive cleaners: Bon Ami® and Soft Scrub®. • Abrasive cleaners for stubborn stains: soap-filled steel wool pad. 	<ul style="list-style-type: none"> • The grates are heavy; use care when lifting. Place on a protected surface. • Blisters/crazing/chips are common due to the extreme temperatures on grate fingers and rapid temperature changes. • Acidic and sugar-laden spills deteriorate the enamel. Remove soil immediately. • Abrasive cleaners, used too vigorously or too often, can eventually mar the enamel.

Parts and materials	Suggested cleaners	Suggestions/Reminders
Exterior finish (Porcelain enamel)	<ul style="list-style-type: none"> • Hot sudsy water: rinse and dry thoroughly. • Non abrasive cleansers: Ammonia, Fantastic®, Formula 409®. • Mild abrasive cleansers: Bon Ami®, Ajax®, Comet®. • Liquid cleaners: Kleen King®, Soft Scrub®. 	<ul style="list-style-type: none"> • Acidic and sugar-laden spills deteriorate the porcelain enamel. Remove soil immediately. • Do not use wet sponge or towel on hot porcelain. • Always apply minimal pressure with abrasive cleaners.3
Control knobs (Plastic)	<ul style="list-style-type: none"> • Hot sudsy water: rinse and dry immediately. • If necessary, remove knobs (lift straight up). 	<ul style="list-style-type: none"> • Do not soak knobs. • Do not use abrasive scrubbers or cleansers. • Do not force knobs onto valve shaft. • Pull knobs straight away from control panel to remove. • When replacing knobs, make sure knobs are in the OFF position. • Do not remove seats under knobs.
Exterior finish (Stainless Steel)	<ul style="list-style-type: none"> • Nonabrasive cleaners: Hot water and detergent. Fantastic®, Formula 409®. Rinse and dry immediately. • Cleaner polish: Stainless Steel Magic® to protect the finish from staining and pitting; enhances appearance. • Hard water spots: Household white vinegar. • Mild Abrasive Cleaners: Kleen King® stainless steel liquid cleaner, Cameo® aluminum & stainless steel cleaner, Bon Ami®. • Heat discoloration: Bar Keepers Friend®. 	<ul style="list-style-type: none"> • Stainless steel resists most food stains and pit marks provided the surface is kept clean and protected. • Never allow food stains or salt to remain on stainless steel for any length of time. • Rub lightly in the direction of polish lines. • Chlorine or chlorine compounds in some cleaners are corrosive to stainless steel. Check ingredients on label before using. • Always apply minimal pressure with abrasive cleaners especially on graphics.
Igniters (Ceramic)	<ul style="list-style-type: none"> • Carefully wipe with a cotton swab dampened with water, ammonia or Formula 409®. • Gently scrape soil off with a toothpick. 	<ul style="list-style-type: none"> • Avoid excess water on the igniter. A damp igniter will prevent burner from lighting. • Remove any lint that may remain after cleaning.

Try the solutions suggested here first in order to avoid the cost of an unnecessary service call.

Ignition will not operate

Is the power supply cord unplugged? Plug into a grounded 3 prong outlet.

Has a household fuse been blown or has the circuit breaker been tripped? Replace the fuse or reset the circuit.

Surface burners will not operate

Is this the first time the surface burners have been used? Turn on any one of the surface burner knobs to release air from the gas lines.

Is the control knob set correctly? Push in knob before turning to a setting.

Are the burner ports clogged? See "Super Sealed Surface Burners" section.

Surface burner flames are uneven yellow and/or noisy

Are the burner ports clogged? See "Super Sealed Surface Burners" section.

Are the burner caps positioned properly? See "Super Sealed Surface Burners" section.

Is propane gas being used? The appliance may have been converted improperly. Contact a service technician.

Surface burner makes popping noises

Is the burner wet? Let it dry.

Is the cap and gas spreader positioned correctly? Make sure the alignment pins are properly aligned see "Super Sealed Surface Burners" section.

Excessive heat around cookware on cooktop

Is the cookware the proper size? Use cookware about the same size as the surface cooking area, element or surface burner. Cookware should not extend more than 1 in (2.5 cm) outside the cooking area.

Cooktop cooking results not what expected

Is the proper cookware being used? See "Cookware" section.

Is the control knob set to the proper heat level? See "Setting the Control Knobs" section.

Before calling for assistance or service, please check "Troubleshooting." It may save you the cost of a service call. If you still need help, follow the instructions below. When calling, please know the purchase date and the complete model and serial number of your appliance. This information will help us to better respond to your request.

Service Data Record

For authorized service or parts information see "WARRANTY for Home Appliances".

The location of the serial tag is below the cooktop box. Now is a good time to write this information in the space provided below. Keep your invoice for warranty validation.

Service Data Record

Model Number _____

Serial Number _____

Date of Installation or Occupancy _____

TABLE DES MATIERES	PAGE
1 - Précaution de Sécurité	2
Sécurité de la Table de Cuisson	2
Securité Personnelle	2
Avertissements pour l'Installation de Gaz et Electrique	3
2 - Modèles et Identification des Pièces	4
3 - Fonctionnement de la Table de Cuisson	5
Utilisation des Boutons de Commande	5
4 - Batterie de Cuisine	8
Caractéristiques des Matériaux	8
Le Diamètre de la Casserole Doit Correspondre au Diamètre de la Flamme	8
5 - Nettoyage de la Table de Cuisson	10
Table de Cuisson / Produits d'Entretien Conseillés	10
6 - Solution aux Problèmes	12
7 - Assistance ou Service Après-Vente	13
Données de Service	13

Veillez prêter attention à ces symboles que vous rencontrerez dans ce manuel.



AVERTISSEMENT

- Ce symbole signifie que la sécurité est en danger. Il signale les risques potentiels qui peuvent entraîner la mort ou des blessures à l'opérateur ou aux autres.
- Si vous ne suivez pas ces instructions à la lettre, vous courez le risque de mourir ou d'être sérieusement blessé.

BIEN LIRE CES INSTRUCTIONS ET LES CONSERVER.



AVERTISSEMENT

Si les informations figurant dans ce manuel ne sont pas suivies à la lettre, il peut en résulter un incendie ou une explosion pouvant causer des dégâts matériels, des blessures, voire mort d'homme.

- **NE PAS** ranger et utiliser d'essence ou d'autres vapeurs et liquides inflammables à proximité de cet appareil ou d'un autre appareil.

- **QUE FAIRE SI VOUS SENTEZ UNE ODEUR DE GAZ**

- **NE PAS** essayer d'allumer un appareil.
- **NE PAS** toucher d'interrupteur électrique.
- **NE PAS** utiliser de téléphone dans votre bâtiment.
- **Appeler immédiatement votre fournisseur de gaz depuis chez un voisin. Suivre les instructions de votre fournisseur de gaz.**
- **Si le fournisseur de gaz ne peut être rejoint, appeler les pompiers.**

- L'installation et la maintenance doivent être confiées à un installateur qualifié, un réparateur agréé ou le fournisseur de gaz.



IMPORTANT

Veuillez lire les instructions avant toute utilisation.



Sécurité de la Table de Cuisson

AVERTISSEMENT

Afin de réduire le risque d'incendie, de décharge électrique ou de blessures aux personnes, veuillez respecter ces précautions:

- Cet appareil n'est destiné qu'à un usage familial normal. Voir La Garantie. Si vous avez des questions à poser, veuillez contacter le fabricant.
- Maintenez les allumeurs propres et secs pour qu'ils s'allument correctement et fonctionnent bien.
- Si un brûleur devait s'éteindre et le gaz s'échapper, ouvrez une fenêtre ou une porte. Attendez 5 minutes avant d'utiliser à nouveau la table de cuisson.
- N'obstruez pas le flux de l'air de combustion et de ventilation.
- Vous ne devez en aucun cas utiliser une feuille d'aluminium pour couvrir une quelconque partie de la table de cuisson.
- Si la table de cuisson se trouve à proximité d'une fenêtre, assurez-vous que les rideaux ou tout autre type de stores ne peuvent pas être soufflés sur ou à côté des brûleurs: ils pourraient prendre feu.

Securité Personnelle

AVERTISSEMENT

Afin de réduire le risque de blessures à personne au cas où la graisse de cuisson prendrait feu, veuillez vous comporter de la sorte:

- Si l'huile de cuisson devait prendre feu, ÉTOUFFER LES FLAMMES en bouchant le récipient avec un couvercle bien hermétique, un moule à gâteaux ou un autre plateau en métal, puis éteignez le brûleur à gaz.
- VEILLEZ À NE PAS VOUS BRÛLER.
- Si les flammes ne s'éteignent pas, ÉVACUER IMMÉDIATEMENT LE LOCAL ET APPELER LES POMPIERS.
- N'utilisez ni eau ni torchons ou serviettes mouillés pour éteindre un feu dû à la graisse de cuisson, vous pourriez provoquer une violente explosion.
- NE JAMAIS PRENDRE DANS LES MAINS UNE POÊLE EN FEU, vous pourriez vous brûler.

AVERTISSEMENT

- Ayez TOUJOURS un DÉTECTEUR DE FUMÉE EN ÉTAT DE MARCHÉ à proximité de la cuisine.
- FAITES FONCTIONNER LE VENTILATEUR DE LA HOTTE lorsque vous flambez des aliments.

Pour réduire le risque de brûlures lorsque vous cuisinez, veuillez observer les conseils suivants:

ATTENTION

N'utilisez JAMAIS cet appareil comme poêle à gaz pour chauffer la pièce. Sinon, vous risquez un em-poisonnement au monoxyde de carbone et surchauffe du four.

- Ne laisser pas les jeunes enfants ou les animaux seuls ou sans surveillance dans une pièce où un appareil électroménager est allumé.
- Ils ne devraient jamais avoir le droit de s'asseoir ou de se tenir debout sur une quelconque partie de l'appareil.

ATTENTION

Ne pas conserver des objets qui pourraient intéresser les enfants au-dessus ou à l'arrière de la table de cuisson.

- Ne pas stocker des matériaux inflammables sur la table de cuisson ou à proximité.
- Lorsque vous cuisinez sur la table de cuisson: NE PAS TOUCHER LES GRILLES DU BRÛLEUR NI LA ZONE AUTOUR.
- Ne prendre les récipients qu'à l'aide de maniques sèches: des maniques humides ou mouillées sur des surfaces chaudes créent de la vapeur qui peut vous brûler.
- Une table de cuisson avec un brûleur allumé ne doit jamais être laissée sans surveillance: un liquide qui bout et déborde crée de la fumée ou s'il est huileux peut prendre feu. Un débordement sur un brûleur peut étouffer la flamme partiellement ou totalement ou bloquer l'étincelle d'allumage. Dans le cas d'un débordement, éteindre le brûleur et vérifier son fonctionnement. S'il fonctionne normalement, vous pouvez le rallumer.
- Lorsque vous cuisinez, choisissez la position du bouton de commande de façon à ce que la flamme ne chauffe

que le bas de la casserole et ne dépasse pas sur les côtés.

- Veillez à ce que des courants d'air provoqués par exemple par un ventilateur ne soufflent pas des matériaux inflammables en direction de la flamme ou ne fassent en sorte que la flamme dépasse les bords du récipient utilisé.
- Mettez toujours les poignées des récipients vers le centre de sorte qu'ils ne soient pas au-dessus d'autres plans de travail adjacents, d'autres brûleurs ou sur le bord de la table de cuisson.
- Quand vous cuisinez, veillez à porter des habits adéquats en évitant des habits lâches ou des manches tombantes.
- Au cas où vos habits prendraient feu, **LES ENLEVER ET SE ROULER PAR TERRE AUSSITÔT** pour éteindre les flammes.
- Ne jamais permettre que les habits ou les maniques ou tout autre matériau inflammable ne viennent en contact avec les brûleurs ou les grilles des brûleurs lorsqu'ils sont chauds.
- N'utiliser qu'un certain type de récipients en verre, en vitrocéramique résistant à la chaleur, en céramique, en faïence ou d'autres récipients émaillés qui sont adaptés à la table de cuisson.
- Ne jamais nettoyer la table de cuisson lorsqu'elle est encore chaude. Certains détergents appliqués sur des surfaces chaudes provoquent des vapeurs nocives.



ATTENTION

Veillez à ce qu'aucune feuille d'aluminium, de plastique, de papier ou du tissu ne puisse venir au contact d'un brûleur chaud ou d'une grille chaude. Ne laissez pas les casseroles bouillir sans eau.



AVERTISSEMENT

La loi de l'eau potable et des substances toxiques de la Californie oblige le Gouverneur de Californie à publier une liste des substances chimiques connues dans l'état de Californie comme causes de cancer, malformations congénitales ou sources d'autres risques pour la reproduction et oblige les sociétés à prévenir du danger lié aune exposition potentielle à ces substances.

Ce produit contient une substance chimique qui figure sur la liste des substances dangereuses en Californie et est connue pour être la cause de cancer, de malformations congénitales ou source d'autres risques pour la reproduction. Cet appareil électroménager peut provoquer une faible exposition à certaines de ces substances, y compris le benzène, le formaldéhyde, le monoxyde de carbone, le toluène et la suie.

Avertissements pour l'Installation de Gaz et Electrique

Au cas où il faudrait procéder à l'installation de gaz propane

La table de cuisson est prête à l'emploi avec du gaz naturel. Vous pouvez la transformer pour utiliser du gaz propane grâce au kit de conversion propane fourni avec la table de cuisson.

Vous assurer que l'unité installée est bien celle prédisposée.



AVERTISSEMENT

L'installation et l'entretien de l'appareil doivent être exécutés par un installateur qualifié, un bureau technique ou le fournisseur de gaz.



ATTENTION

- Toujours débrancher la prise électrique de l'appareil avant de commencer les opérations d'entretien.
- Pour des raisons de sécurité personnelle, cet appareil doit être mis à la terre correctement.
- Il ne faut en aucun cas couper ou enlever le troisième fil (terre) du câble électrique.

Au moment de brancher l'unité au gaz de propane, vous assurer que la bouteille de gaz est bien équipée avec son propre régulateur de haute pression.

En outre, le régulateur de pression fourni avec la table de cuisson doit se trouver à l'entrée du tuyau de gaz de cet appareil.

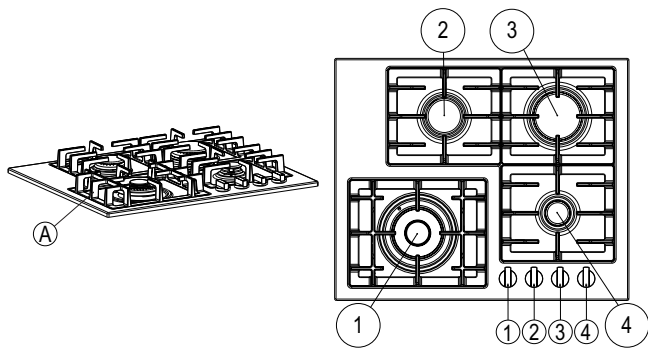
En cas de panne de courant

Si pour une quelconque raison un bouton de commande est allumé mais il n'y a pas de courant pour que l'allumeur électrique de la table de cuisson fonctionne, ÉTEINDRE la table de cuisson, attendre 5 minutes afin que le gaz se dissipe, puis allumer manuellement.

Pour allumer le brûleur manuellement, portez avec précaution la flamme d'une allumette à la hauteur des orifices du brûleur, enfoncez le bouton de commande et tournez-le sur la position HI jusqu'à ce que le brûleur s'allume.

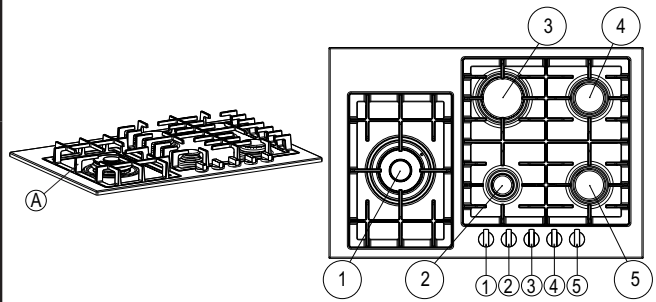
Alors, vous pouvez mettre le bouton de commande sur la position désirée.

24"



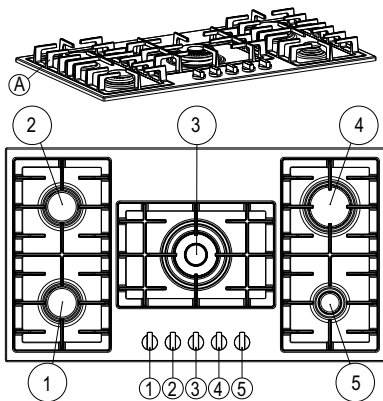
1. DOUBLES COURONNES (Brûleur de 700 à 18000 Btu/h et bouton de commande)
2. SR (Brûleur de 1,300 à 6,300 Btu/h et bouton de commande)
3. R (Brûleur de 2,200 à 12,000 Btu/h et bouton de commande)
4. AUX (Brûleur de 1,000 à 4,000 Btu/h et bouton de commande)

30"



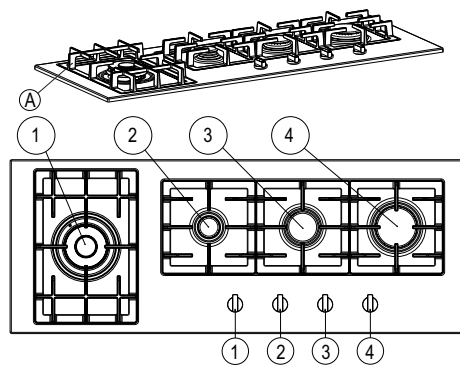
1. DOUBLES COURONNES (Brûleur de 700 à 18000 Btu/h et bouton de commande)
2. AUX (Brûleur de 1,000 à 4,000 Btu/h et bouton de commande)
3. R (Brûleur de 2,200 à 12,000 Btu/h et bouton de commande)
4. SR (Brûleur de 1,300 à Btu/h et bouton de commande)
5. SR (Brûleur de 1,300 à 6,300 Btu/h et bouton de commande)

36"



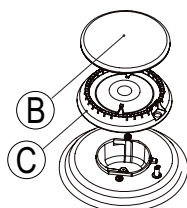
1. SR (Brûleur de 1,300 à 6,300 Btu/h et bouton de commande)
2. SR (Brûleur de 1,300 à 9,000 Btu/h et bouton de commande)
3. DOUBLES COURONNES (Brûleur de 700 à 18000 Btu/h et bouton de commande)
4. R (Brûleur de 2,200 à 12,000 Btu/h et bouton de commande)
5. AUX (Brûleur de 1,000 à 4,000 Btu/h et bouton de commande)

42"



1. DOUBLES COURONNES (Brûleur de 700 à 18000 Btu/h et bouton de commande)
2. AUX (Brûleur de 1,000 à 4,000 Btu/h et bouton de commande)
3. SR (Brûleur de 1,300 à 9,000 Btu/h et bouton de commande)
4. R (Brûleur de 2,700 à 15,000 Btu/h et bouton de commande)

Appareil installé sur 2.000 pieds (610mt) Effet de réduction
(Effet de réduction 4% par 1000 pieds)

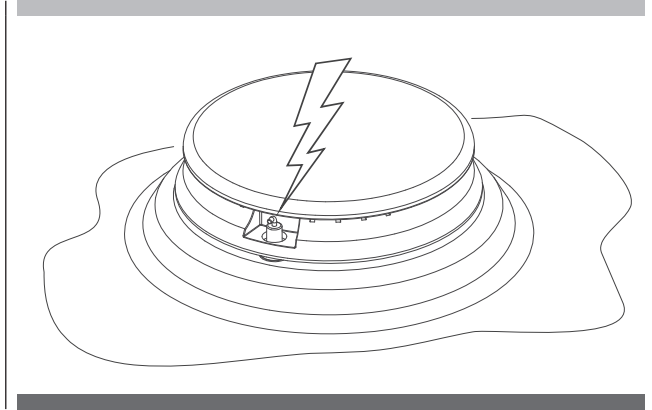


- A. Grilles
- B. Brûleur coupe
- C. Épandeur Gas Burners

Utilisation des Boutons de Commande

Allumage à gaz électrique

Le brûleur à gaz utilise un appareil à allumage électrique situé près de chaque brûleur par un allumeur à étincelle qui allume la surface automatiquement.



Modèles avec allumage standard

L'allumage électrique allume automatiquement la surface des brûleurs lorsque les boutons de commande sont tournés sur la position LITE (doux).

Pour régler :

1. Poussez et tournez le bouton dans les sens inverse aiguilles d'une montre sur "LIGHT" (doux), les quatre ou cinq surfaces de brûleur vont cliquer (faire une étincelle). Uniquement le brûleur avec le bouton de commande tourné sur LIGHT produira une flamme.
2. Tournez le bouton n'importe où entre HI (fort) et LO (doux) (sur cette position, il n'y a plus d'étincelles). Si la flamme s'éteint, recommencez l'opération 1.

Modèles avec rallumage automatique

L'auto rallumage électronique allume la surface des brûleurs lorsque le bouton de commande est tourné sur n'importe quelle rotation de soupape qui permette un flux de gaz suffisant pour supporter une flamme.

Si la flamme du brûleur s'éteint à cause d'un courant d'air ou une autre mauvaise condition, l'allumeur provoque une étincelle automatiquement sur tous les brûleurs pour rallumer la flamme.

NOTE : Cet élément est fourni comme une commodité et il n'est pas conçu comme un élément de sécurité.

Pour régler :

- Poussez et tournez le bouton dans les sens inverse aiguilles d'une montre dans n'importe quelle position, la surface des quatre ou cinq brûleurs va cliquer (faire une étincelle). Uniquement le brûleur avec le bouton de commande tourné entre HI-LO (fort-doux) produira une flamme et se rallumera automatiquement si la flamme s'éteint.

AVERTISSEMENT

- Ne faites pas fonctionner un brûleur en utilisant une casserole vide ou sans casserole sur la grille.
- Ne touchez pas le brûleur lorsque les allumeurs cliquent (étincellent)
- Ne laissez pas la flamme du brûleur s'étendre au-delà du bord de la casserole.
- Eteignez tous les contrôles lorsque vous ne cuisinez pas.

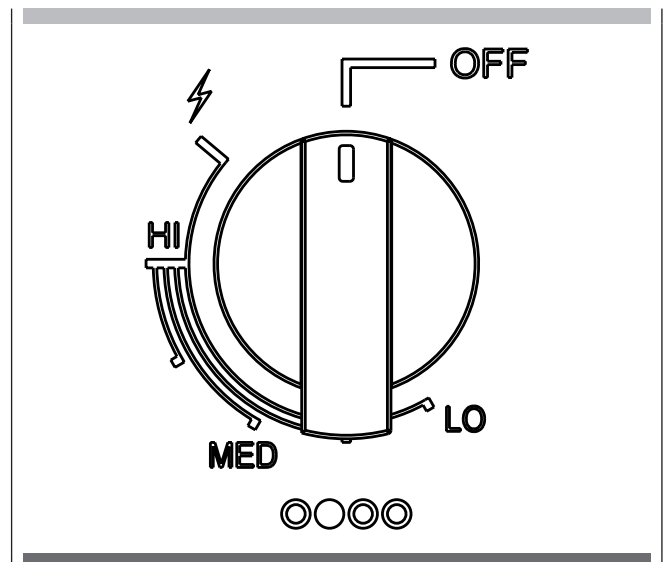
Si vous ne suivez pas ces instructions, vous risquez de vous blesser ou de provoquer un incendie.

Brûleurs à gaz

La conception des brûleurs à gaz de ces modèles de table de cuisson permettant d'adapter votre cuisine selon la taille, la puissance et la cuisson douce est une de nos préoccupations premières.

Brûleurs avec un anneau de flamme

Cette ligne de brûleurs à gaz est conçue pour correspondre à une large gamme de taille et de capacité de puissance. L'utilisation de ce brûleur est très simple, il suffit de pousser et de tourner le bouton dans le sens inverse des aiguilles d'une montre et de régler sur la position désirée entre les niveaux de chaleur de HI et LO (fort et doux) (voir le tableau lorsque vous réglez le niveau de chaleur). Son élément d'allumage peut être standard ou à rallumage automatique.



Brûleurs avec deux anneaux de flamme

Ce brûleur spécial a deux anneaux de flamme séparés pour fournir une régulation de chaleur complète entre la puissance élevée et la cuisson douce.

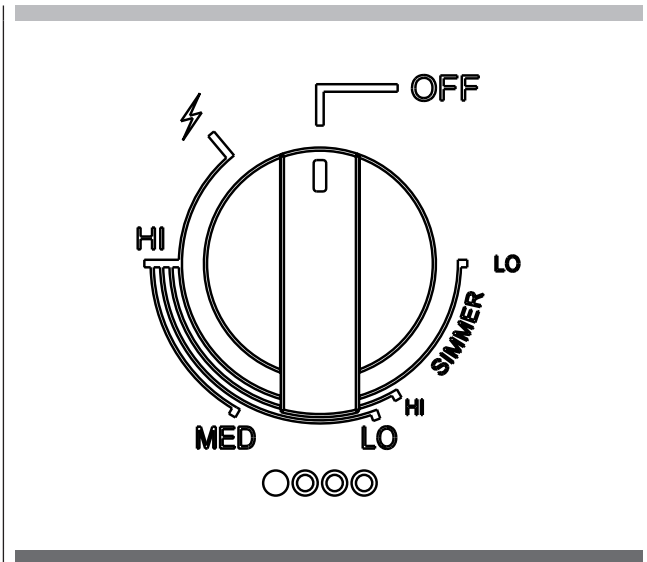
1. Poussez et tournez le bouton dans le sens inverse des aiguilles d'une montre entre HI-LO (fort-doux) de la flamme principale, lorsque le brûleur est allumé, la flamme principale et la flamme de cuisson douce vont toujours s'allumer et le rester
2. Réglage du niveau de chaleur de la flamme principale de HI-LO (fort-doux).

Réglage de cuisson douce

Tournez dans le sens inverse des aiguilles d'une montre le bouton sur la position de cuisson douce HILO (fort-doux), la flamme de cuisson douce n'utilisera que la flamme centrale.

Arrêt du brûleur

Tournez le bouton dans le sens des aiguilles d'une montre aussi loin que possible sur la position off (éteint).



Suggestions d'Utilisation des Brûleurs

Utilisez les brûleurs avant droit, arrière droit et arrière gauche pour mijoter ou cuire des petites quantités d'aliments dans de petites casseroles.

Utiliser le brûleur POWER situé à l'avant gauche de la table pour porter des liquides à une ébullition rapide, pour cuisiner de grandes quantités de nourriture ou pour frire des aliments qui requièrent de grandes casseroles.

Flammes des Brûleur

Allumez chacun des brûleurs. Les flammes doivent être bleues sans trace de jaune. Les flammes du brûleur ne doivent pas trembler ni se souffler. Le cône intérieur de la flamme doit avoir une longueur entre 1/2" et 3/4" long.

Brûleurs de Surface Etanches



IMPORTANT

Ne pas obstruer le flux de l'air de combustion et de ventilation autour des bords de la grille du brûleur.

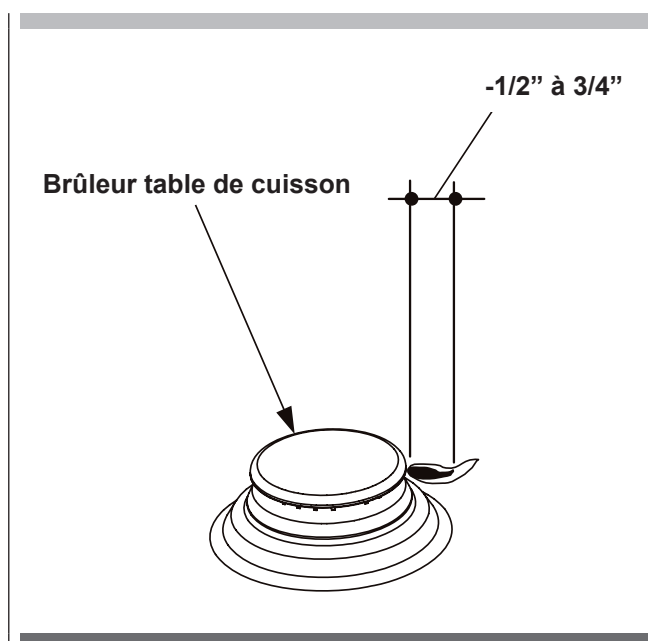
Chapeau du brûleur et diffuseur de gaz

Maintenez toujours le chapeau du brûleur et le diffuseur de gaz en place lorsque vous utilisez un brûleur de surface.

Ces deux éléments doivent toujours être propres si vous voulez pouvoir allumer facilement et avoir une flamme constante. Bien nettoyer ces éléments après chaque débordement et effectuer un nettoyage périodique selon la section «Nettoyage général».

Base du brûleur et injecteur

Pour allumer correctement, le gaz doit circuler librement à travers l'orifice de l'injecteur. Maintenez cette zone propre sans restes alimentaires et veillez à ce que ni des restes, ni des détergents ou autres matériaux n'obstruent l'ouverture de l'orifice. Le protéger durant le nettoyage.



Avant d'allumer le brûleur, vous assurer que:

- Le pivot du diffuseur de gaz est bien aligné avec la rainure de la base du brûleur.
- Le pivot du chapeau est bien aligné avec la rainure du diffuseur de gaz.

Orifices du brûleur

Contrôlez périodiquement les flammes du brûleur. La couleur d'une flamme normale est bleue et non pas jaune. Maintenez cette zone propre sans restes alimentaires et veillez à ce que ni des restes, ni des détergents ou autres matériaux n'obstruent les orifices du brûleur.

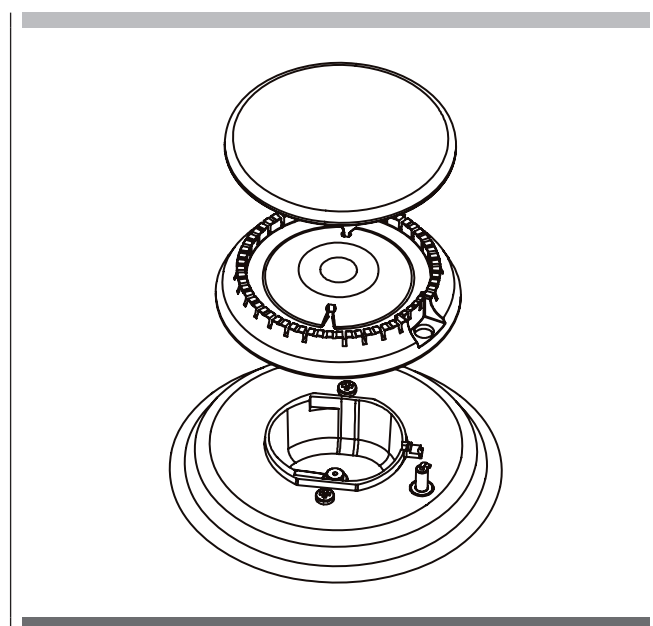
Comment nettoyer le brûleur à gaz:



IMPORTANT

Avant de nettoyer, bien vérifier que tous les boutons de commande sont éteints et que la table de cuisson est froide.

1. Enlevez le chapeau du brûleur de la base du brûleur et nettoyez en suivant les instructions de la section de nettoyage.
2. Enlevez le diffuseur du brûleur. Nettoyez l'ouverture du tuyau de gaz ainsi que la rainure du brûleur en suivant les instructions de la section de nettoyage.
3. Nettoyez la base du brûleur avec un chiffon humide. Il est important que l'orifice de l'injecteur ne s'obstrue pas avec des produits détergent ou autres.
4. Remettez en place le diffuseur et le chapeau du brûleur en veillant à ce que les pivots soient bien dans l'alignement des rainures.
5. Allumez le brûleur. S'il ne s'allume pas, vérifiez que le chapeau et le diffuseur sont bien alignés. Si le brûleur ne devrait toujours pas s'allumer, ne pas effectuer la réparation vous-même mais contactez un réparateur spécialisé.



**IMPORTANT**

Ne jamais laisser des casseroles vides cuire sur une surface de cuisson chaude ou sur un brûleur chaud. Le récipient idéal pour cuisiner a une base plate, des bords droits et un couvercle qui ferme hermétiquement. Il doit avoir une épaisseur de moyenne à large. Des finitions rugueuses peuvent rayer la table de cuisson.

Les récipients de cuisine peuvent être en aluminium ou en cuivre, cependant si leur base est en aluminium ou en cuivre, ils peuvent laisser des marques indélébiles sur la table de cuisson ou sur les grilles. Selon le matériau du récipient, la chaleur se transmet plus ou moins vite et de manière plus ou moins égale ce qui évidemment affecte les résultats de cuisson. Une finition anti-adhérente a les mêmes caractéristiques que le matériau de la base.

Par exemple, un récipient en aluminium avec une finition anti-adhérente prendra les propriétés de l'aluminium. Consultez la liste suivante pour reconnaître les caractéristiques de chaque type de matériau.

Caractéristiques des Matériaux

Aluminium: chauffe rapidement et de façon uniforme. Convient à tous les types de cuisine. Une épaisseur moyenne à large est parfaite pour la plupart des tâches de cuisson.

Fer forgé: chauffe lentement et de manière uniforme. Idéal pour dorer et frire, il maintient bien la chaleur pour les plats devant cuire à feu lent.

Céramique ou vitrocéramique: suivre les instructions du fabricant. Chauffe lentement mais de manière irrégulière. Donne les meilleurs résultats à des températures basses ou moyennes.

Cuivre: chauffe très rapidement et de manière uniforme.

Faïence: suivre les instructions du fabricant. L'utiliser sur feu bas.

Porcelaine émaillée sur acier ou acier inoxydable: voir acier inoxydable ou fer forgé.

Acier inoxydable: chauffe rapidement mais de manière inégale. La base ou le noyau en aluminium sur de l'acier inoxydable permet un réchauffement uniforme.

Le Diamètre de la Casserole Doit Correspondre au Diamètre de la Flamme

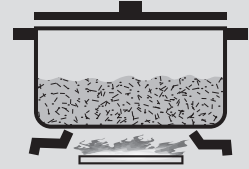
La flamme devrait avoir le même diamètre (ou un petit peu moins) que la base du récipient. Ne pas utiliser de petits récipients sur une flamme haute car les flammes pourraient brûler les côtés du récipient. Des récipients hors-mesure qui occupent deux brûleurs, doivent être placés de l'avant vers l'arrière et non pas sur deux brûleurs côte à côte.

Utiliser des récipients équilibrés

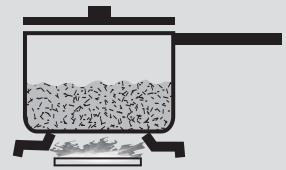
Les casseroles doivent être stables sur les grilles de la table de cuisson, elles ne doivent pas osciller. Centrer le récipient sur le brûleur.

Utiliser un couvercle qui s'adapte parfaitement sur le récipient

Un couvercle qui ferme hermétiquement signifie une durée de cuisson plus courte. Des casseroles à la base plate et lourde fournissent une chaleur uniforme et stable.

AVERTISSEMENT

RECIPIENT EQUILIBRE



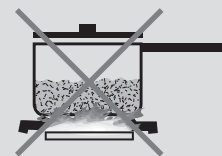
CONCAVE



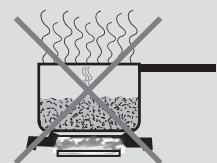
CONVEXE



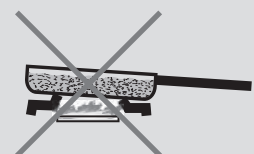
NE PAS UTILISER PETITS RECIPIENTS SUR FLAMME HAUTE



UTILISER COUVERCLE QUI S'ADAPTE PARFAITEMENT

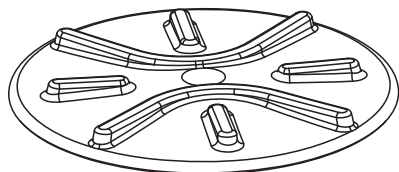


RECIPIENT NE PAS EQUILIBRE



Utilisation d'une plaque d'ébullition: pour faire bouillir les potages et les soupes ou faire fondre du chocolat, utilisez la plaque d'ébullition accessoire «FULGOR». La plaque d'ébullition distribue la chaleur uniformément et doucement.

Les cocottes minutes et cuiseurs sous pression doivent répondre aux mêmes exigences que celles décrites ci-dessus. Après avoir mené les aliments à ébullition, utilisez la chaleur la plus faible possible pour maintenir l'ébullition ou la pression (pour les cocottes minutes ou les cuiseurs sous pression).

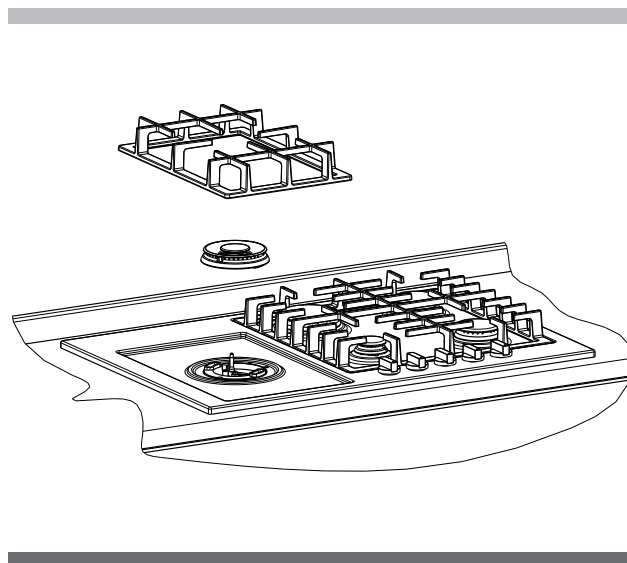


Vous pouvez en toute sûreté nettoyer la table de cuisson à l'aide d'une éponge humide et savonneuse, puis la rincer et l'essuyer. Dans le cas de taches tenaces, suivez les méthodes de nettoyage recommandées ci-dessous.

ATTENTION

- Avant de commencer à nettoyer, vous assurer que les brûleurs sont bien éteints et que les grilles sont froides.
- Parmi les détergents adaptés, toujours choisir le plus doux. Utilisez des chiffons doux, des éponges ou des serviettes en papier propres.
- Frottez les finitions de l'acier inoxydable dans le sens du grain. Bien sécher afin d'éviter les taches d'eau.
- Ne jamais nettoyer les pièces amovibles de la table de cuisson dans un four autonettoyant.
- Après avoir fini de nettoyer et avant d'utiliser à nouveau la table de cuisson, remettez les pièces à leur place.

Les produits d'entretien conseillés ci-dessous et à la page suivante indiquent le type de détergents et ne constituent en aucune façon une forme de publicité d'une marque en particulier. Lisez les instructions d'emploi de chaque produit avant de l'utiliser.


Table de Cuisson / Produits d'Entretien Conseillés

Pièces et matériaux	Produits conseillés	Suggestions/rappels
Base du brûleur (alliage aluminium)	Chiffon humide.	Maintenez l'injecteur de gaz propre et empêchez les produits nettoyants ou d'autres matériaux d'entrer dans l'orifice de l'injecteur.
Diffuseur de flamme (alliage aluminium)	<ul style="list-style-type: none"> • Détergent et eau chaude: rincez et séchez. • Brosse à dent nylon à poils durs pour nettoyer les orifices. Produits nettoyants abrasifs: revere ware® metal polish. Suivre les instructions sur la boîte. Utilisez Brillo® ou des tampons S.O.S.®. Rincer et sécher.	Frottez doucement en un mouvement circulaire. Des produits nettoyants pour aluminium peuvent dépolir la surface. Pour nettoyer l'orifice du diffuseur, utilisez une brosse à dent ou une agrafe ouverte.
Chapeau du brûleur et grille (porcelaine émaillée sur fer forgé)	<ul style="list-style-type: none"> • Produits nettoyants non-abrasifs: eau chaude et détergent, Fantastic, Formula 409. Rincez et séchez immédiatement. • Produits nettoyants doux: Bon Ami® et Soft Scrub®. • Produits nettoyants abrasifs pour taches rebelles: paillettes métalliques imbibées de savon. 	<ul style="list-style-type: none"> • Les grilles sont lourdes: les soulever avec précaution, les placer sur une surface protégée. • Il est normal de trouver boursoufflures/craquelures/éclats étant donné les températures extrêmes sur les tiges de la grille et les rapides changements de température. • Des débordements de substances acides ou sucrées peuvent détériorer l'émail. Nettoyez tout de suite. • Des produits nettoyants abrasifs, si utilisés trop souvent ou trop vigoureusement peuvent à la longue endommager l'émail.

Parts and materials	Suggested cleaners	Suggestions/Reminders
Finition externe (porcelaine émaillée)	<ul style="list-style-type: none"> • Eau chaude savonneuse. Rincez et bien essuyez. • Produits nettoyants non-abrasifs: ammoniacque, Fantastic®, Formula 409®. • Produits nettoyants abrasifs doux: Bon Ami®, Ajax® et Comet®. • Produits nettoyants liquides: Kleen • King®, Soft Scrub®. 	<ul style="list-style-type: none"> • Les débordements de substances acides ou su créés endommagent l'émail. Nettoyez immédiatement. • Ne pas utiliser une éponge ou un chiffon mouillé sur la porcelaine chaude. • Quand vous utilisez des produits abrasifs, toujours les appliquer en exerçant une pression minimum.
Boutons de commande (plastique)	<ul style="list-style-type: none"> • Eau chaude savonneuse. Rincez et essuyez tout de suite. • Si nécessaire, retirez les boutons (tirer vers le haut). 	<ul style="list-style-type: none"> • Ne pas faire tremper les boutons. • Ne pas utiliser des produits pour nettoyer ou frotter qui sont abrasifs. • Ne pas remettre les boutons en forçant sur le pivot de la soupape. • Pour extraire les boutons du panneau de commande, les tirer droit vers soi. • Lorsque vous remettez les boutons, vous assurer qu'ils sont en position OFF. Ne pas enlever le tampon d'étanchéité sous les boutons.
Finition externe (acier inoxydable)	<ul style="list-style-type: none"> • Produits nettoyants non-abrasifs: eau chaude et détergent, Fantastic®, Formula 409. Rincez et essuyez tout de suite. • Crème nettoyante Stainless Steel Magic® pour protéger la finition contre les taches et les marques et rehausser l'aspect. • Taches d'eau rebelles: vinaigre blanc de cuisine. • Produits nettoyants abrasifs doux: Kleen King® stainless steel liquid cleaner, Cameo® aluminium & stainless steel, Bon Ami®. • Contre la décoloration due à la chaleur: Bar Keepers Friend®. 	<ul style="list-style-type: none"> • L'acier inoxydable résiste à la plupart des taches et des marques aussi longtemps que vous nettoyez bien et protégez la surface. • Ne jamais laisser des taches d'aliments ou de sel sur l'acier inoxydable, même un court instant. • Frottez légèrement dans le sens de la finition. • Le chlore ou certains composants de chlore dans les détergents sont corrosifs pour l'acier inoxydable. Avant d'utiliser un détergent, vérifier sa composition sur l'étiquette. • Appliquez les produits nettoyants abrasifs avec le minimum de pression possible, particulièrement sur les lignes dessinées.
Allumeurs (céramique)	<ul style="list-style-type: none"> • Nettoyez avec précaution à l'aide d'un bout de coton humidifié avec de l'eau, de l'ammoniacque ou Formula 409®. • Enlevez la saleté en frottant doucement avec un cure-dent. 	<ul style="list-style-type: none"> • Évitez d'utiliser trop d'eau sur l'allumeur. Un allumeur humide empêchera le brûleur de s'allumer. • Enlevez tout reste de tissu qui serait resté accroché après le nettoyage

Si vous avez quelques problèmes, essayez les solutions proposées ci-dessous. Ceci pourrait vous éviter des frais de service inutiles.

L'allumage ne fonctionne pas

Le câble électrique est-il bien branché? Branchez l'appareil à une prise à 3 fils reliée à la terre.

Est-ce un fusible ou le disjoncteur différentiel qui a sauté? Remplacez le fusible ou ré-enclencher le disjoncteur.

Les brûleurs de surface ne fonctionnent pas

Est-ce la première fois que les brûleurs sont utilisés? Allumez n'importe quel brûleur de surface afin de libérer l'air dans les conduites de gaz.

Le bouton de commande est-il sur la bonne position? Enfoncez le bouton avant de le tourner vers la position désirée.

Les orifices du brûleur sont-ils obstrués? Lire la section "Brûleurs de surface étanches".

Les flammes des brûleurs sont inégales, jaunes et/ou font du bruit

Les orifices des brûleurs sont-ils obstrués? Lire la section " Brûleurs de surface étanches".

Les chapeaux des brûleurs sont-ils bien en place? Lire la section "Brûleurs de surface étanches".

Vous utilisez du gaz propane? L'appareil a peut-être été mal converti. Contactez un technicien d'entretien.

Les brûleurs font un bruit sec

Le brûleur est-il humide? Le laisser sécher.

Le chapeau et le diffuseur de gaz sont-ils bien en place? Assurez-vous que les pivots sont bien alignés et lisez la section "Brûleurs de surface étanches".

Chaleur excessive autour des récipients utilisés

Le récipient a-t-il la bonne taille? Utilisez un récipient qui ait plus ou moins le même diamètre que celui de l'aire de cuisson, de l'élément ou du brûleur de surface. Les récipients ne devraient pas dépasser de plus de 1 in. (2,5 cm) l'aire de cuisson.

Les résultats de cuisson ne sont pas ceux escomptés

Utilisez-vous le bon récipient? Lire la section "Batterie de cuisine".

Avez-vous mis le bouton sur la position correcte? Lire la section "Utilisation des boutons de commande".

Avant d'appeler l'assistance ou le service après-vente, veuillez bien vérifier la section « Solution aux problèmes ». Ceci peut vous faire économiser le coût d'un appel à un centre de service. Si vous avez cependant besoin d'aide, suivre les indications cidessous. Lorsque vous appelez, soyez prêt à indiquer la date d'achat, le modèle complet ainsi que le numéro de série de votre appareil. Ces informations nous permettront de mieux répondre à vos questions.

Données de Service

Pour un centre de service autorisé ou de l'information sur les pièces, voir le "GARANTIE pour l'électroménager".

L'emplacement du numéro de série sur le produit il est situé sur la base de la table de cuisson. Notez cette information dans l'espace prévu à cet effet ci-dessous. Gardez votre facture pour la validation de votre garantie.

Données de Service

Numéro de modèle _____

Numéro de série _____

Date d'installation ou Occupancy _____

TABELA DE CONTENIDO	PAGINA
1 - Instrucciones de Seguridad	2
Seguridad de la Placa de Cocción	2
Seguridad Personal	2
Advertencias para Instalación de Gas y Eléctrica	3
2 - Modelos e Identificación de Componentes	4
3 - Funcionamiento de la Placa de Cocción	5
Uso de los Mandos	5
4 - Recipientes de Cocina	8
Características de los Materiales	8
Adecue el Diámetro de la Llama al del Recipiente	8
5 - Limpieza de la Placa de Cocción	10
Placa de Cocción / Productos de Limpieza Aconsejados	10
6 - Solución de Problemas	12
7 - Servicio de Asistencia Técnica	13
Registro de datos para el servicio	13

Preste la debida atención a los siguientes símbolos que encontrará en el manual.



ADVERTENCIA

- Este es el símbolo de los avisos relacionados con la seguridad: alerta sobre potenciales peligros que pueden derivar en muerte o daños a las personas.
- Si no sigue estas instrucciones, puede correr peligro de muerte o de resultar gravemente herido.

LEAY CONSERVE ESTAS INSTRUCCIONES.



ADVERTENCIA

Si no se siguen exactamente las instrucciones de esta guía, se puede ocasionar un incendio o explosión que dé como resultado daños materiales, lesiones personales o la muerte.

- **NO** almacene ni use gasolina u otros vapores y líquidos inflamables cerca de esta unidad o de cualquier otro electrodoméstico.

- QUÉ HACER SI PERCIBE OLOR A GAS:

- **NO** intente encender ningún electrodoméstico.
- **NO** toque ningún interruptor eléctrico.
- **NO** use ningún teléfono dentro del edificio.
- Llame inmediatamente al proveedor de gas desde el teléfono de su vecino. Siga las instrucciones del proveedor de gas.
- Si no se puede comunicar con el proveedor de gas, llame al departamento de bomberos.

- Un instalador calificado, una agencia de servicio o el proveedor de gas debe realizar la instalación y el servicio.



IMPORTANTE



Por favor, lea todas las instrucciones antes de utilizar este aparato.

Seguridad de la Placa de Cocción



ADVERTENCIA

Para reducir el riesgo de incendio, descarga eléctrica o daños a las personas, tome las siguientes precauciones:

- Este dispositivo ha sido diseñado exclusivamente para un uso doméstico normal. Lea la Garantía que encontrará al final de este documento. Si tiene alguna pregunta, póngase en contacto con el fabricante.
- La placa de cocción debe ser instalada por un técnico cualificado. Haga que el instalador le muestre dónde se encuentra la llave de paso del gas.
- No repare ni sustituya ningún componente del electrodoméstico a no ser que esté explícitamente recomendado en este manual. Cualquier otra operación debe ser efectuada por un técnico cualificado.
- Mantenga los encendedores limpios y secos para lograr un encendido y rendimiento óptimos de los quemadores.
- En caso de que un quemador se apague y haya una fuga de gas, abra una ventana o una puerta. Espere al menos 5 minutos antes de volver a utilizar la placa de cocción.
- No obstruya el flujo de combustión ni el de ventilación.
- No utilice papel de aluminio para cubrir ninguna parte de la placa de cocción.
- Si la placa de cocción se encuentra cerca de una ventana, asegúrese de que no haya cortinas, estores o cualquier otro elemento que cubra la ventana que pueda volar cerca de los quemadores: podría incendiarse.



ADVERTENCIA

- Si las llamas no se apagan inmediatamente, SALGA DE LA HABITACIÓN Y LLAME A LOS BOMBEROS.
- No utilice agua, ni trapos o toallas húmedos para apagar un fuego provocado por aceite. Podría provocar una violenta explosión.
- NUNCA COJA UNA SARTÉN EN LLAMAS: podría quemarse.
- Tenga SIEMPRE un DETECTOR DE INCENDIOS que funcione correctamente cerca de la cocina.
- DEJE SIEMPRE LA CAMPANA EXTRACTORA DE HUMOS ENCENDIDA cuando flambee alimentos.

Para reducir el riesgo de quemaduras mientras cocina, siga los siguientes consejos:



PELIGRO

No use NUNCA este equipo como calefacción para calentar la habitación. Si lo hiciera podría sufrir un envenenamiento por monóxido de carbono y sobrecalentamiento del horno.

- No deje a niños o mascotas solos o sin supervisión en una habitación en la que haya electrodomésticos en funcionamiento.
- No permita que se sienten o se apoyen en ninguna parte del electrodoméstico.

Seguridad Personal



ADVERTENCIA

Para reducir el riesgo de daños a las personas, en caso de que el aceite con el que cocina prenda fuego, siga los pasos siguientes:

- Si el aceite en el que está cocinando prende fuego, puede **EXTINGUIR LAS LLAMAS** con una tapa que encaje bien con la sartén y la cubra por completo, o bien con una bandeja de horno o algún tipo de bandeja de metal. Después, apague el quemador.
- SI TIENE CUIDADO, EVITARÁ QUEMADURAS.



PELIGRO

No almacene objetos que puedan llamar la atención de los niños ni encima ni detrás de la placa de cocción.

- No almacene materiales inflamables sobre la placa de cocción ni cerca de ella.
- Cuando utilice la placa de cocción: **NO TOQUE LAS PARRILLAS DE LOS QUEMADORES NI LA ZONA QUE ESTÁ INMEDIATAMENTE ALREDEDOR.**
- Utilice únicamente paños o manoplas de cocina secos para manejar los recipientes: si utiliza manoplas húmedas o mojadas en superficies calientes, podría quemarse con el vapor del agua.

- No deje jamás la placa de cocción sin supervisión mientras esté encendida. Las salpicaduras de los recipientes provocan humo y si se derrama grasa, puede prender fuego. Una salpicadura en un quemador puede apagar parte de la llama o la llama entera, o impedir que la chispa prenda. Si se derrama algún alimento, apague el quemador y compruebe que funciona correctamente. Si el quemador funciona con normalidad, puede volver a encenderlo.
- Cuando esté cocinando, gradúe la intensidad de la llama de forma que caliente únicamente la base de la sartén: las llamas no deben sobresalir de la base.
- Asegúrese de que no haya corrientes de aire (como las provocadas por ventiladores) que conduzcan materiales inflamables hacia las llamas o que extiendan la llama más allá de los bordes del recipiente que esté utilizando.
- Coloque siempre los mangos de los utensilios hacia dentro, de forma que no se sitúen sobre las áreas de trabajo colindantes, los quemadores o el borde de la placa de cocción.
- Cuando cocine, utilice siempre la vestimenta adecuada. No utilice nunca ropa demasiado holgada ni mangas colgantes.
- En caso de que la ropa prenda fuego, DÉJESE CAER AL SUELO DE INMEDIATO Y GIRE SOBRE SÍ MISMO para extinguir las llamas.
- No permita que la ropa, los trapos de cocina u otros materiales inflamables entren en contacto con los quemadores o las parrillas de los quemadores cuando estén calientes.
- Utilice únicamente recipientes adecuados para cocinas de gas, como determinados tipos de cristal, cerámica vidriada refractaria, barro u otros utensilios vitrificados.
- No limpie la placa de cocción mientras esté caliente. Algunos limpiadores producen un humo nocivo si se utilizan en superficies calientes.



PELIGRO

No permita que los quemadores ni las parrillas entren en contacto con papel de aluminio, plástico o tela mientras estén calientes. Y tampoco coloque sartenes o recipientes vacíos sobre el fuego encendido.



ADVERTENCIA

La ley de Agua potable y sustancias tóxicas de California obliga al Gobernador de California a publicar una lista de sustancias químicas conocidas en el Estado de California como causantes de cáncer, malformaciones congénitas u otros daños reproductivos y además, obliga a las empresas a advertir a las personas si creen que van a estar expuestas a tales sustancias químicas.



ADVERTENCIA

Este producto contiene una sustancia química que figura en la lista de sustancias peligrosas del Estado estadounidense de California y que se conoce como causante de cáncer, malformaciones congénitas u otros daños reproductivos.

Este electrodoméstico puede provocar una baja exposición a algunas de las sustancias de la lista, incluidos el benceno, el formaldehído, el monóxido de carbono, el tolueno y el hollín.

Advertencias para Instalación de Gas y Eléctrica

En caso de que deba efectuar una instalación de gas propano

La placa de cocción ha sido diseñada para ser utilizada con gas natural. Pero puede transformarse para utilizarse con gas propano utilizando el kit de conversión para gas propano que le ha sido entregado con la placa de cocción. Asegúrese de que la unidad que está usted instalando es la adecuada para el tipo de gas que va a utilizar.

Lea la información técnica que se encuentra bajo la placa de cocción (lea las instrucciones de instalación).



ADVERTENCIA

La instalación y el mantenimiento de este electrodoméstico deben ser efectuados por un instalador cualificado, una agencia técnica o el proveedor de gas.



PELIGRO

- Desenchufe siempre el aparato de la toma de red de la pared antes de comenzar la revisión o las operaciones de mantenimiento.
- Estos dispositivos deben contar con una toma de tierra para su seguridad.
- No corte ni retire el tercer cable (el cable de tierra) del cable del aparato, bajo ninguna circunstancia.

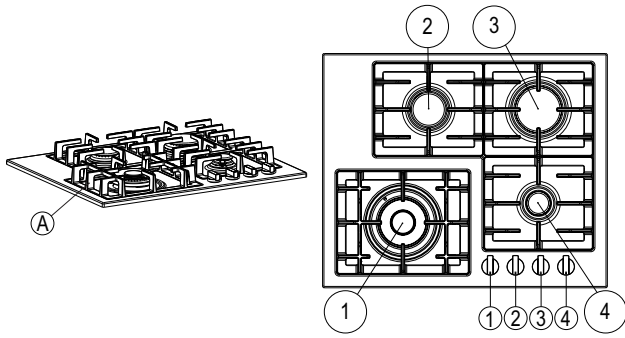
Cuando conecte la unidad al gas propano, asegúrese de que la bombona de propano está equipada con su propio regulador de alta presión. Además, el regulador de presión que se suministra con la placa de cocción debe estar en el conducto de entrada de gas de la placa de cocción.

En caso de interrupción del suministro eléctrico

Si por algún motivo, enciende un quemador y no hay energía eléctrica para operar el encendedor electrónico de la placa de cocción, ponga en posición de APAGADO todos los mandos de la placa de cocción y espere 5 minutos para que se disipe el gas que haya podido salir antes de encender el quemador de forma manual.

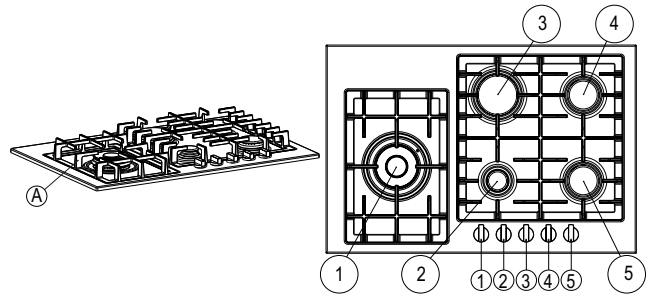
Para encender el quemador manualmente, acerque con cuidado una cerilla encendida a los orificios del quemador y presione y gire el mando correspondiente hasta la posición HI (alta), hasta que se encienda la llama. Después, gire el mando para graduar la llama a la intensidad deseada.

24"



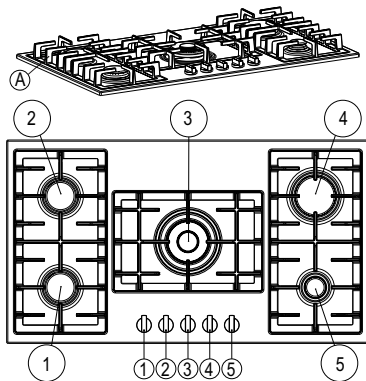
1. CORONAS DOBLES (Quemador de 700 a 18000 Btu/h y mando correspondiente)
2. SR (Quemador de 1,300 a 6,300 Btu/h y mando correspondiente)
3. R (Quemador de 2,200 a 12,000 Btu/h y mando correspondiente)
4. AUX (Quemador de 1,000 a 4,000 Btu/h y mando correspondiente)

30"



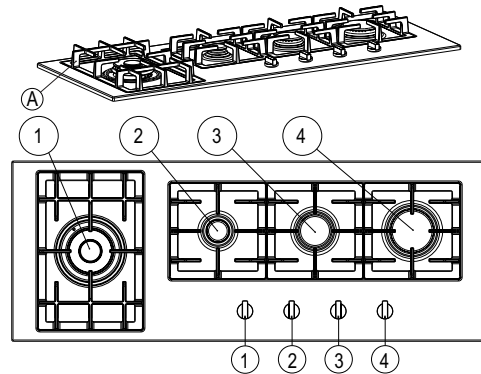
1. CORONAS DOBLES (Quemador de 700 a 18000 Btu/h y mando correspondiente)
2. AUX (Quemador de 1,000 a 4,000 Btu/h y mando correspondiente)
3. R (Quemador de 2,200 a 12,000 Btu/h y mando correspondiente)
4. SR (Quemador de 1,300 a 9,000 Btu/h y mando correspondiente)
5. SR (Quemador de 1,300 a 6,300 Btu/h y mando correspondiente)

36"



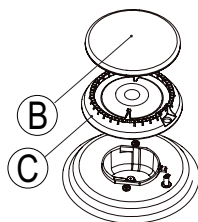
1. SR (Quemador de 1,300 a 6,300 Btu/h y mando correspondiente)
2. SR (Quemador de 1,300 a 9,000 Btu/h y mando correspondiente)
3. CORONAS DOBLES (Quemador de 700 a 18000 Btu/h y mando correspondiente)
4. R (Quemador de 2,200 a 12,000 Btu/h y mando correspondiente)
5. AUX (Quemador de 1,000 a 4,000 Btu/h y mando correspondiente)

42"



1. CORONAS DOBLES (Quemador de 700 a 18000 Btu/h y mando correspondiente)
2. AUX (Quemador de 1,000 a 4,000 Btu/h y mando correspondiente)
3. SR (Quemador de 1,300 a 9,000 Btu/h y mando correspondiente)
4. R (Quemador de 2,700 a 15,000 Btu/h y mando correspondiente)

Aplicación instalada sobre 2.000 pies (610mt) Efecto de reducción.
(Efecto de reducción el 4% por 1000 pies)

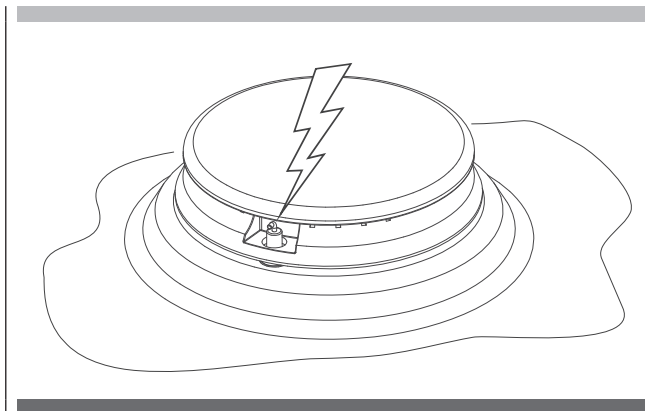


- A. Rejas
- B. Quemador de la Copa
- C. Quemadores de Gas Spreader

Uso de los Mandos

Ignición eléctrica del gas

El quemador de gas utiliza un dispositivo de ignición eléctrica colocado cerca de cada quemador, que por medio de una chispa prende fuego y asegura automáticamente el encendido.



Modelos con ignición estándar

La ignición eléctrica prende automáticamente la superficie de los quemadores cuando las mandos de control se giran en la posición LITE.

Ajuste de la posición:

1. Presione y gire el mando de la placa a la izquierda en sentido antihorario para el ENCENDIDO "LIGHT". Las superficies de los cuatro o cinco quemadores emitirán chispas. Solo el quemador con el mando girado en ENCENDIDO "LIGHT" producirá una llama.
2. Gire el mando hacia un lado o hacia el otro entre HI (alto) y LO (bajo) (en esta posición la emisión de chispas se para). En caso de que se apague la llama repita la operación 1.

Modelo reencendido automático

El reencendido automático prende la superficie de los quemadores cuando el mando está girado en cualquier posición que admita el suficiente caudal de gas para soportar la llama.

Si la llama de un quemador se apaga debido a una corriente de aire o a otra condición desfavorable, el encendedor emite automáticamente chispas en todos los quemadores para volver a encender la llama.

NOTA: Esta característica se suministra como una comodidad y no se ha concebido como una característica de seguridad.

Para realizar el ajuste:

- Presione y gire el mando a la izquierda en sentido antihorario, las superficies de los cuatro o cinco quemadores emitirán chispas. Solo el quemador cuyo mando está girado entre HI_LO producirá una llama y volverá a encenderse automáticamente si la llama se apaga.

⚠ ADVERTENCIA

- No utilice el quemador con cazuelas vacías o sin cazuelas en la parrilla.
- No toque el quemador cuando los encendedores están emitiendo chispas.
- No deje la llama del quemador extenderse más allá del borde de la cazuela.
- Apague todos los controles cuando no esté cocinando.

Un error cuando se siguen esta instrucciones puede provocar heridas a las personas o fuego.

Quemadores de gas

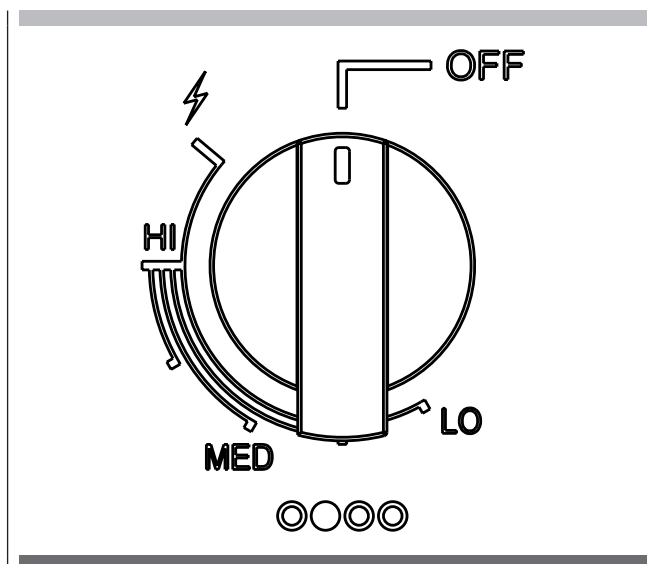
El diseño de los quemadores de gas de los modelos de esta placa de cocina permite una agradable opción cuando el tamaño, la potencia y la cocción a fuego lento son de importancia primordial

Quemadores con la llama de una corona

Estos quemadores de gas se han proyectado para ajustarse a una amplia capacidad de tamaños y potencias.

El uso de este quemador es muy sencillo, simplemente presionando y girando el mando a la izquierda en sentido antihorario y ajustando la posición deseada entre el nivel de calentamiento HI y LO (véase la tabla cuando se ajuste el nivel de calentamiento).

Este dispositivo de ignición puede ser estándar o con reencendido automático.



Quemadores con llamas de dos coronas

Este quemador especial tiene dos coronas de combustión separadas para suministrar una real regulación de calentamiento total desde la alta potencia a la cocción a fuego lento.

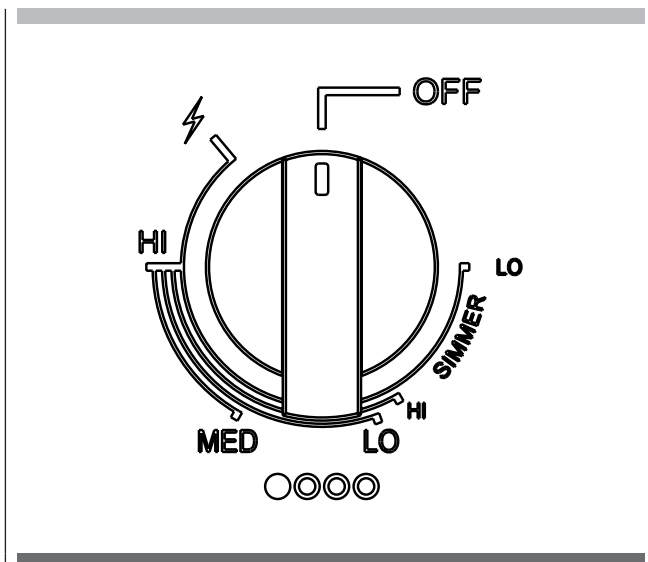
1. Presione y gire el mando de la llama principal a la izquierda en sentido antihorario entre HI-LO; cuando el quemador está encendido, la llama principal y la llama de cocción a fuego lento estarán siempre encendidas y en posición.
2. Ajuste el nivel de calentamiento de la llama principal desde el interruptor HI-LO.

Ajuste de cocción a fuego lento

Gire a la izquierda el mando en sentido antihorario en la posición de cocción a fuego lento HI-LO, el ajuste de la llama de cocción a fuego lento usará solo la llama central.

Apagado del quemador

Gire el mando a la derecha en sentido horario de manera que vaya a la posición de apagado.



Sugerencias de Uso de los Quemadores

Para hervir a fuego lento o cocinar pequeñas cantidades de alimentos que no necesiten una gran intensidad de calor, utilice los quemadores frontal derecho, trasero derecho o trasero izquierdo. Utilice el quemador POWER (situado en la parte frontal, a la izquierda) para llevar líquidos a ebullición de manera rápida, cocinar grandes cantidades de alimentos o para freír alimentos grasos que requieran una gran intensidad de calor.

Las Llamas del Quemador

Encienda todos los quemadores. Las llamas deberían ser de color azul con un toque de amarillo. No deberían agitarse o alejarse del quemador. El cono interior de la llama debería ser de entre 1/2" (1,2 cm) y 3/4" (1,9 cm) de largo.

Quemadores de Superficie Bien Sellados

IMPORTANTE

No obstruya el caudal de combustión de la ventilación del aire alrededor de los lados de la rejilla del quemador.

Tapa del quemador y difusor de gas

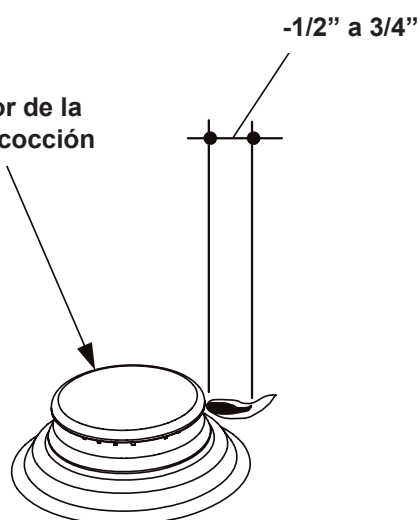
Cuando use una superficie del quemador tenga cuidado siempre de que la tapa del quemador y el difusor del gas están en su lugar. Si la tapa del quemador y el difusor están limpios, esto puede prevenir una ignición escasa y una llamas desiguales. Limpie siempre estas partes tras un derramamiento y como rutina limpie siguiendo las recomendaciones que se indican en la sección "Limpieza General".

Base del quemador e inyector

El gas debe fluir sin obstáculos por el orificio del inyector para prender correctamente. Mantenga la zona del inyector limpia e impida que los restos de alimentos, productos de limpieza o cualquier otro material bloqueen la abertura del orificio.

Protéjalo durante la limpieza.

Quemador de la placa de cocción



Antes de encender el quemador, asegúrese de que:

- El difusor de llama está correctamente alineado con la ranura de la base del quemador.
- La tapa esté correctamente alienada con la ranura del difusor de llama.

Ranuras de los quemadores

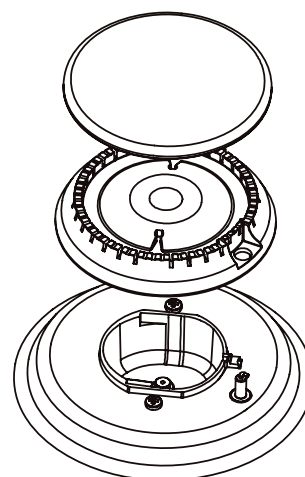
Compruebe periódicamente las llamas que emite el quemador. El color de una llama normal es azul, no amarillo o naranja. Mantenga la zona limpia e impida que salpicaduras o restos de alimentos, productos de limpieza o cualquier otro material entren en los ranuras de los quemadores.

Cómo limpiar los quemadores:

IMPORTANTE

Antes de empezar a limpiar, asegúrese de que todos los mandos están en la posición de apagado y compruebe que la placa de cocción está fría.

1. Retire la tapa del quemador de la base del quemador y límpiela siguiendo las instrucciones de la sección de limpieza.
2. Retire el difusor del quemador. Limpie la abertura del conducto de gas y la ranura del quemador siguiendo las instrucciones recogidas en la sección de limpieza.
3. Limpie la base del quemador con un paño húmedo. No utilice detergentes: es importante impedir que el orificio del inyector se obstruya con productos de limpieza u otros materiales.
4. Vuelva a colocar el difusor y la tapa del quemador en su sitio comprobando que se acoplen perfectamente.
5. Encienda el quemador. Si no se enciende, compruebe que la tapa y el difusor del quemador están bien acoplados. Si están en buen estado y bien acoplados, pero el quemador sigue sin encenderse, póngase en contacto con un técnico especialista para su reparación, no intente hacerlo usted mismo.



⚠ IMPORTANTE

No deje nunca un recipiente vacío sobre una parrilla o un quemador caliente. Los recipientes ideales para cocinar deberían tener una base plana, laterales rectos y una tapa que encaje perfectamente.

Deberían ser de un espesor medio-alto. Los acabados rugosos podrían rayar la placa de cocción.

Los recipientes de cocina pueden ser de aluminio y cobre, pero si la base está hecha con esos materiales, pueden dejar marcas permanentes en la placa de cocción o en las parrillas.

El material de los recipientes es un factor que contribuye a determinar la velocidad y uniformidad a la que se transfiere el calor, cosa que afecta al resultado del plato que esté preparando. Un acabado antiadherente tiene las mismas características que el material de la base. Por ejemplo, un recipiente de aluminio con un acabado antiadherente, disfrutará de las propiedades del aluminio. Consulte la siguiente guía para conocer las características de cada material.

Características de los Materiales

Aluminio: calienta de forma rápida y uniforme. Es adecuado para todo tipo de cocina. El espesor medioalto es el mejor para la mayor parte de las tareas de cocina.

Hierro fundido: calienta lenta y uniformemente. Es ideal para dorar y freír. Mantiene muy bien el calor y por eso es adecuado para cocinar a fuego lento.

Céramique ou vitrocéramique: siga las instrucciones del fabricante. Calienta lentamente, pero de manera irregular. Da unos buenísimos resultados a temperaturas bajas y medias.

Cobre: calienta muy rápidamente y de manera uniforme.

Barro: siga las instrucciones del fabricante. Utilícelo con fuego bajo.

Acero o hierro fundido con porcelana vitrificada: lea el apartado de acero inoxidable o de hierro fundido.

Acero inoxidable: calienta rápidamente, pero de manera poco uniforme. Una base de aluminio o cobre en un recipiente de acero inoxidable proporciona un calentamiento uniforme.

Adecue el Diámetro de la Llama al del Recipiente

La llama debería tener el mismo diámetro (o un poco menos) que la base del recipiente. No utilice sartenes pequeñas con una llama alta, porque las llamas podrían comerse los laterales del recipiente. Las sartenes o cazuelas de gran tamaño que requieran el uso de dos quemadores, deberían ponerse entre un quemador trasero y uno frontal, y no de lado a lado de la placa de cocción.

Utilice recipientes equilibrados

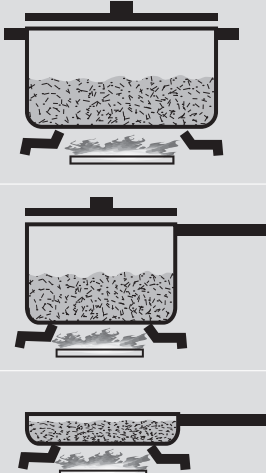


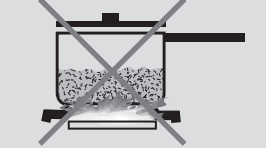
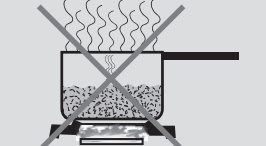
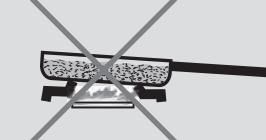
Las sartenes y ollas deben asentarse de manera estable en

la parrilla de la placa de cocción, no deben bailar. Centre el recipiente sobre el quemador.

Utilice una tapa que encaje perfectamente con el recipiente

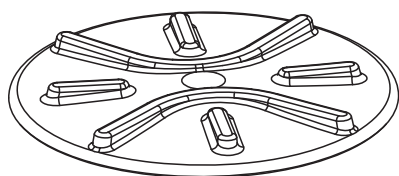
Una tapa adecuada ayuda a acortar el tiempo de cocción. Las sartenes con fondos planos y pesados proporcionan un calor uniforme y una gran estabilidad.

ADVERTENCIA

<p>RECIPIENTE EQUILIBRADO</p>	
<p>CÓNCAVO</p>	
<p>CONVEXO</p>	
<p>ADECUE EL DIÁMETRO LLAMA AL RECIPIENTE</p>	
<p>UTILICE UNA TAPA QUE ENCAJE PERFECTAMENTE</p>	
<p>RECIPIENTE NO EQUILIBRADO</p>	

Uso de una chapa de fuego lento: Para estofados cocinados a fuego lento o sopas, o para deshacer chocolate, utilice la placa para hervir "FULGOR" de accesorio. La placa para fuego lento distribuye el calor cuidadosa y uniformemente.

Cocinado con ollas y ollas a presión: Si cocina con ollas a presión se encontrará con las mismas necesidades que se describen arriba. Después de llevar los recipientes a ebullición, use el ajuste de calentamiento lo más bajo posible para mantener constante el hervor o la presión (para ollas a presión).

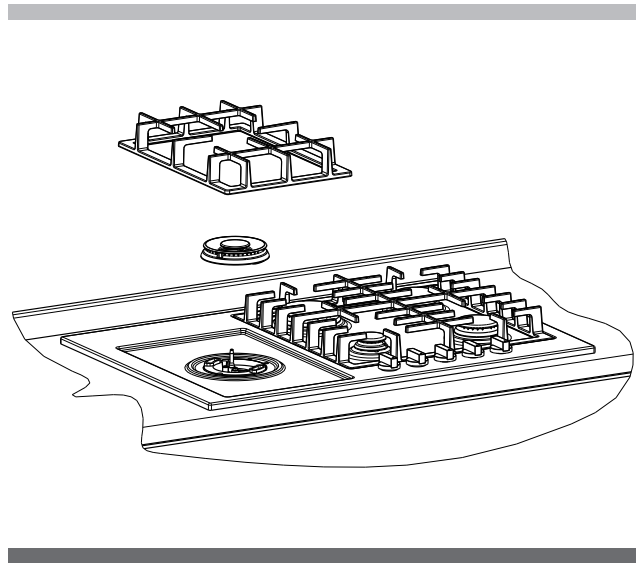


Puede limpiar toda la placa de cocción utilizando un paño o esponja embebidos en jabón. Una vez limpia, aclare y seque la superficie. Si queda alguna mancha más resistente, siga alguna de las recomendaciones que encontrará abajo.

Los productos de limpieza recogidos a continuación han sido seleccionados como recomendación: su inclusión en este documento no constituye en modo alguno una forma de publicidad. Siga las instrucciones de uso de cada producto.

PELIGRO

- Antes de limpiar, asegúrese de que los quemadores están apagados y de que las parrillas están frías.
- Utilice siempre un limpiador neutro para limpiar la placa. Utilice también paños suaves, esponjas o papel de cocina limpios.
- Frote el acero inoxidable siguiendo las marcas del acabado de superficie. Seque bien la zona que haya limpiado para evitar que queden marcas de agua.
- No limpie ninguno de los elementos extraíbles de la placa de cocción en un horno con sistema de autolimpieza.
- Una vez haya limpiado todo, vuelva a colocar cada pieza en su lugar antes de volver a utilizar la cocina.



Placa de Cocción / Productos de Limpieza Aconsejados

Partes y materiales	Productos aconsejados	Sugerencias y recordatorios
Base del quemador (aleación de aluminio)	Paño húmedo.	Mantenga el inyector de gas limpio: impida que entren productos de limpieza u otros materiales en el orificio del inyector.
Difusor de llama (aleación de aluminio)	<ul style="list-style-type: none"> • Detergente y agua caliente. Aclarar y secar. • Cepillo de dientes con cerdas de nailon para limpiar los orificios. Limpiadores abrasivos: limpia metales reverse ware® metal polish. Siga las instrucciones del envase Utilice Brillo® o S.O.S.®. Aclare y seque.	Frote suavemente con movimientos circulares. Los limpiadores para aluminio pueden apagar el brillo de la superficie. Para limpiar el orificio del difusor, utilice un cepillo de dientes o un clip abierto.
Tapas de los quemadores y parrillas (porcelana esmaltada sobre hierro fundido)	<ul style="list-style-type: none"> • Limpiadores no abrasivos: agua caliente y detergente, Fantastic, Formula 409. • Aclare y seque de inmediato. • Limpiadores abrasivos suaves: Bon Ami® y Soft Scrub®. • Limpiadores abrasivos para manchas rebeldes: esponjas de lana de acero con jabón. 	<ul style="list-style-type: none"> • Las parrillas son pesadas: tenga cuidado al levantarlas y colóquelas en una superficie protegida. • Las burbujas, las grietas y las astillas son habituales dadas las extremas temperaturas a las que están expuestas las parrillas y los rápidos cambios de temperatura. • Las salpicaduras ácidas y de azúcar deterioran el esmalte. Retire las manchas de inmediato. • Los limpiadores abrasivos, si se utilizan de manera demasiado enérgica o demasiado a menudo, • pueden acabar dañando el esmalte.

Parts and materials	Suggested cleaners	Suggestions/Reminders
Acabado exterior (porcelana esmaltada)	<ul style="list-style-type: none"> • Agua caliente con jabón. Aclare y seque bien. • Limpiadores no abrasivos: amoníaco, Fantastic, Formula 409. Aclare y seque de inmediato. • Limpiadores abrasivos suaves: Bon Ami®, Ajax® y Comet®. • Limpiadores líquidos: Kleen King®, Soft Scrub®. 	<ul style="list-style-type: none"> • Las salpicaduras ácidas y de azúcar deterioran el esmalte. Limpie las manchas de inmediato. • No utilice esponjas o paños húmedos en la porcelana caliente. • Aplique siempre los limpiadores abrasivos de forma suave, sin ejercer mucha presión
Mandos de control (plástico)	<ul style="list-style-type: none"> • Agua caliente con jabón. Aclare y seque bien. • Si es necesario, retire los mandos (tirando de ellos hacia arriba). 	<ul style="list-style-type: none"> • No moje los mandos. • No utilice productos de limpieza o estropajos abrasivos. • No fuerce los mandos. • Para extraer los mandos, tire de ellos hacia arriba, de forma perpendicular al panel en el que se alojan. • Cuando vuelva a colocar los mandos en su lugar, asegúrese de que los coloca en la posición de APAGADO. No extraiga los precintos que hay debajo de los mandos
Acabado exterior (acero inoxidable)	<ul style="list-style-type: none"> • Limpiadores no abrasivos: agua caliente y detergente, Fantastic®, Formula 409. • Aclare y seque de inmediato. Abrillantador Stainless Steel Magic® para proteger el acabado de manchas y marcas y mejorar su aspecto. • Marcas de cal: vinagre blanco de cocina. • Limpiadores abrasivos suaves: Kleen King® stainless steel liquid cleaner, Cameo® aluminium & stainless steel, Bon Ami®. • Para decoloración por calor: Bar Keepers Friend®. 	<ul style="list-style-type: none"> • El acero inoxidable es muy resistente a la mayoría de las manchas de comida y a las rayaduras, siempre y cuando la superficie se mantenga limpia y protegida. • No permita que las manchas de comida o sal permanezcan durante mucho tiempo sobre el acero inoxidable. • Frote con suavidad siguiendo la dirección del acabado del acero. • El cloro o los compuestos de cloro son corrosivos para el acero inoxidable. Compruebe los componentes de sus productos de limpieza antes de utilizarlos. • Aplique los limpiadores abrasivos ejerciendo la mínima presión posible.
Encendedores (cerámica)	<ul style="list-style-type: none"> • Límpielos cuidadosamente con un poco de algodón humedecido con agua, amoníaco o Fórmula 409®. • Raspe con cuidado la suciedad con un mondadientes. 	<ul style="list-style-type: none"> • Evite utilizar demasiada agua para limpiar el encendedor. Un encendedor húmedo no conseguirá encender el quemador. • Retire cualquier hilo de algodón que pueda quedar después de la limpieza.

Si tiene algún problema, lea las soluciones que le sugerimos en esta sección. Quizás pueda evitarse una llamada innecesaria al servicio técnico.

La ignición no funciona

Está la placa bien enchufada?	Enchufe el aparato a un enchufe con toma de tierra.
Ha revisado los fusibles y ha comprobado que no haya saltado ningún diferencial?	Sustituya los fusibles de la caja general o compruebe si se ha disparado el automático o un diferencial en la caja general de entrada.

Los quemadores no funcionan

Es la primera vez que utiliza los quemadores?	Gire cualquiera de los mandos para liberar aire de los conductos de gas.
Los mandos están bien colocados?	Presione los mandos antes de girarlos.
Están obstruidas las ranuras de los quemadores?	Lea la sección "Los quemadores".

Las llamas de los quemadores son irregulares, amarillas o hacen ruido

Están obstruidas las ranuras de los quemadores?	Lea la sección "Los quemadores".
Están bien colocadas las tapas de los quemadores?	Lea la sección "Los quemadores".
Está utilizando gas propano?	Puede que la placa de cocción no haya sido adaptada de forma correcta. Llame al servicio técnico.

Los quemadores hacen un ruido burbujeante

Están mojados o húmedos?	Deje que se sequen.
Están las tapas y el difusor de llama bien colocados?	Asegúrese de que están bien alineados. Lea la sección "Los quemadores".

Hay demasiado calor alrededor de la sartén

La sartén es del tamaño adecuado?	Utilice una sartén u olla aproximadamente del mismo diámetro del de la superficie de la zona de cocción. El diámetro de la llama no debe superar el del recipiente y el recipiente no debe sobresalir más de 2,5 cm de la zona de cocción.
-----------------------------------	--

Los resultados no son los que cabía esperar

Está utilizando los recipientes adecuados?	Lea la sección "Recipientes de cocina".
La intensidad del quemador está graduada correctamente?	Lea la sección "Uso de los mandos".

Antes de ponerse en contacto con el servicio de asistencia técnica, lea la sección "Solución de problemas". Puede que hacerlo le ahorre la llamada. Si no encuentra la solución a su problema en esta sección, siga las instrucciones que encontrará más abajo. Cuando llame al servicio de asistencia, tenga a mano los siguientes datos: fecha de compra, referencia completa del modelo y número de serie de su placa de cocción. Esa información nos ayudará a atenderle.

Registro de datos para el servicio

Cómo obtener servicio Para información sobre servicio autorizado o refacciones, ver el "GARANTÍA para electrodomésticos".

A la base de la placa de cocción se puede ver la etiqueta con el número de serie del producto. Ahora es un buen momento para anotar esta información en el espacio proporcionado abajo. Guarde su factura para validar la garantía.

Registro de datos para el servicio

Número del Modelo _____

Número de Serie _____

Fecha de instalación y ocupación _____

FULGOR
MILANO

— SINCE 1949 —